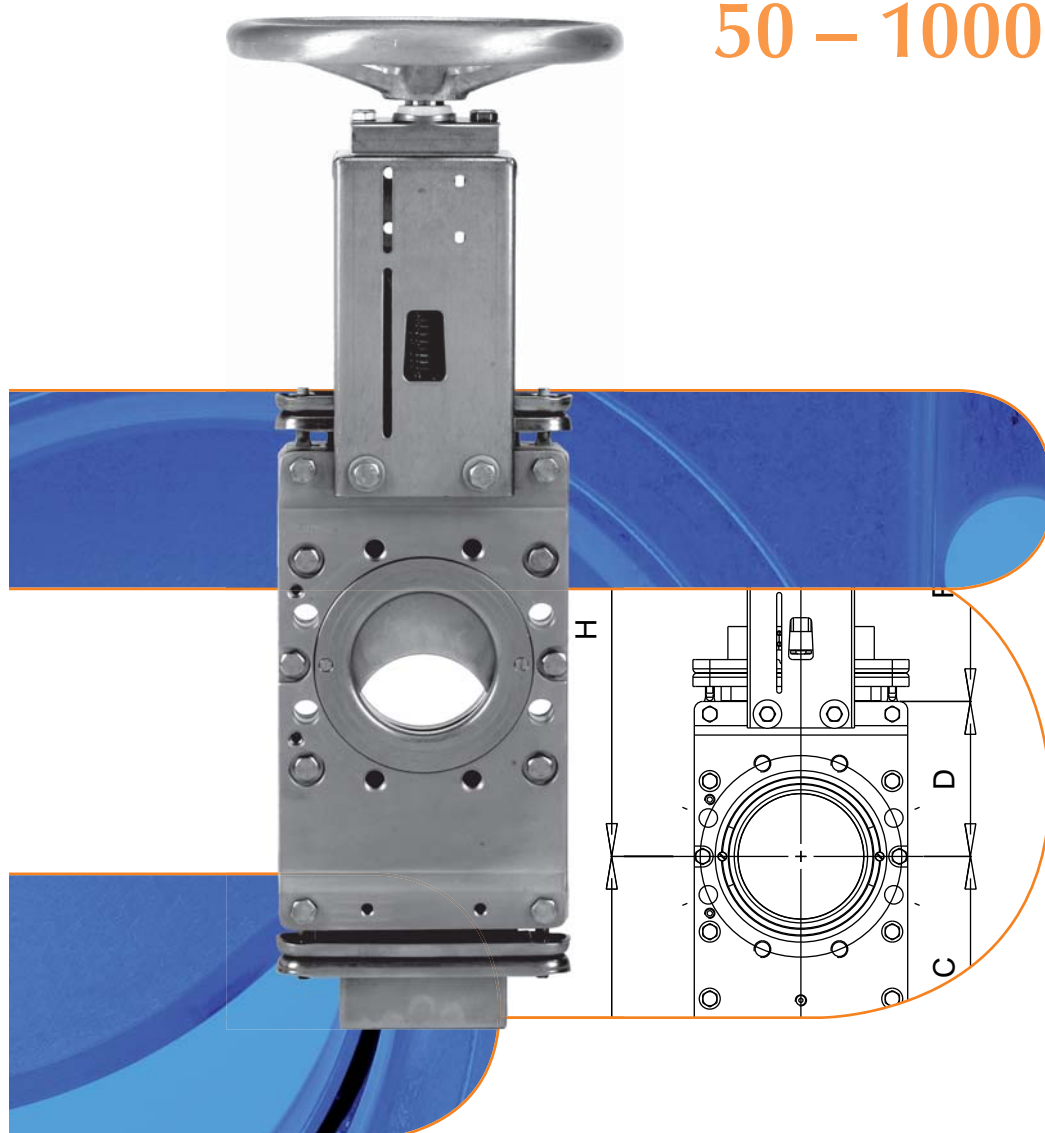


Valves of stainless steel · COMPACT-Program

# Shut-Off-Valves with through-going valve plate

## CDS/CDSV

### 50 – 1000 mm



MARTIN LOHSE GmbH  
 Unteres Paradies 63 · D-89522 Heidenheim  
 Postfach 1565 · D-89505 Heidenheim  
 Tel. +49(0)7321 / 755-42 · Fax +49(0)7321 / 755-97  
 E-Mail: [server.ab@lohse-gmbh.de](mailto:server.ab@lohse-gmbh.de)  
 Internet: [www.lohse-gmbh.de](http://www.lohse-gmbh.de)

## Applications



### Paper industry

LOHSE stock valves with through-going slide plate have been successfully tested thousands of times in all areas of the pulp and paper industry.

Valve types CDS, CDSA, CDSV, DS, DSA and DSV are installed as shut-off valves for pulp with a high degree of contamination, owing to their absolutely smooth, pocket-free passage.



### Chemical industry and food industry

LOHSE stock valves with through-going slide plate special execution with sealings suitable for foodstuffs are used as shut-off valves and regulating valves for viscous, pulverulent, granular and sticky substances.



### Waste treatment plants

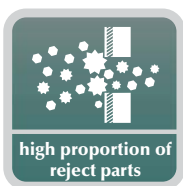
LOHSE stock valves with through-going slide plate can be found in waste treatment plants for the shutting off of viscous and aggressive substances.



### Special valves

On request we can supply specially designed valves of the most varied materials (e. g. titan) for special fields of application.

## Media



## Construction

### Housing entirely of stainless steel

- corrosion and acid resistant
- easy to maintain
- the handwheel support also serves as a mounting for any control apparatus and protection guard

### Slide cups of special plastic

- abrasion resistant
- excellent anti-friction properties
- temperature resistant
- acid resistant
- easily replaceable

### Valve plate of stainless steel

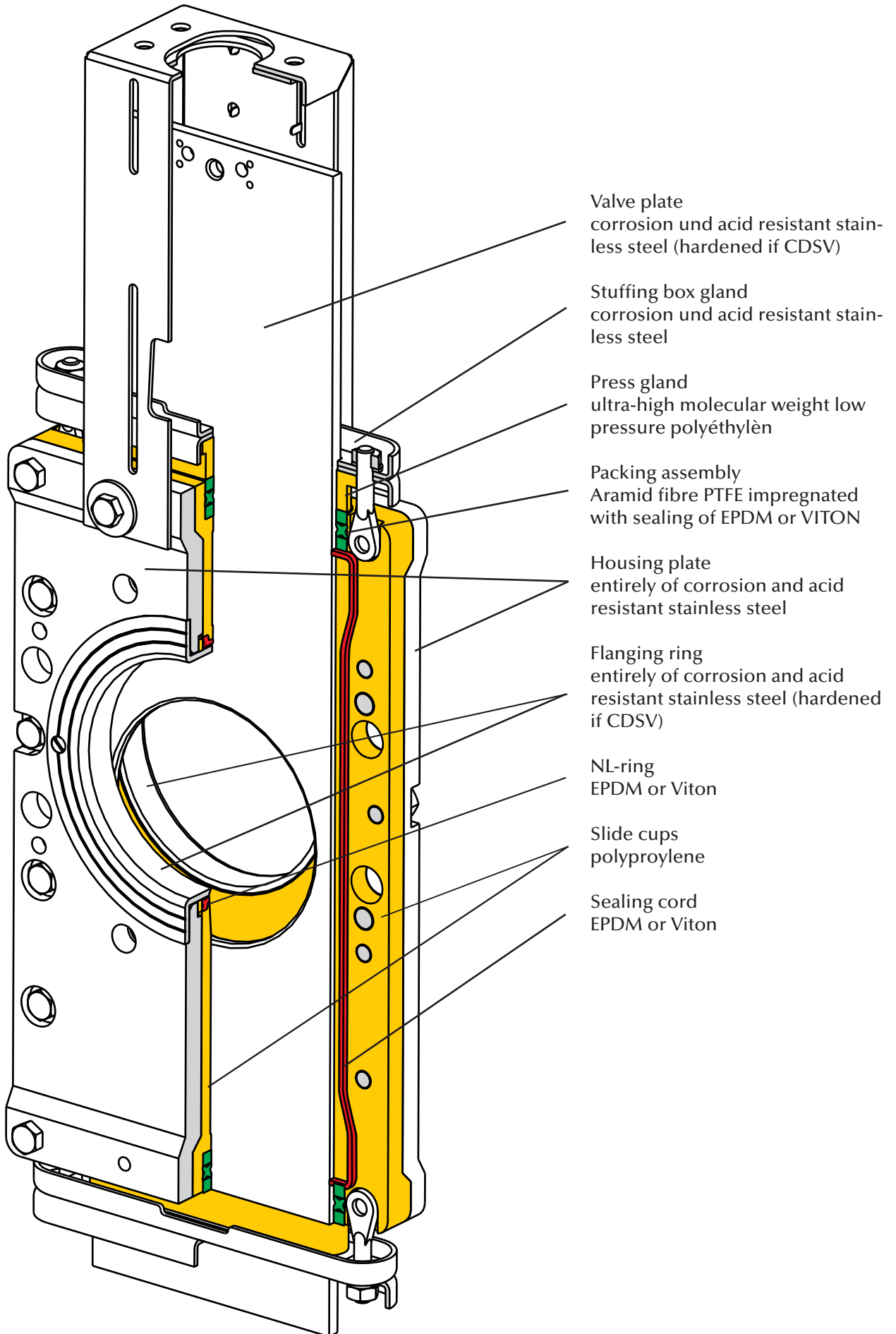
- corrosion and acid resistant – type CDSV has a hardened valve plate
- bare cross section = nominal diameter of piping
- no stringing of fibres is possible
- free of dead space in open position

### 100 % water-tight in both directions

- seals resistant to temperature and acids
- seals easily replaceable but firmly anchored in the valve housing

### Actuating elements in well-proved LOHSE modular system

- interchangeable an all valves of our make
- also interchangeable on the incorporated existing valve
- reduced stock holding



Valve plate  
corrosion und acid resistant stain-  
less steel (hardened if CDSV)

Stuffing box gland  
corrosion und acid resistant stain-  
less steel

Press gland  
ultra-high molecular weight low  
pressure polyéthylèn

Packing assembly  
Aramid fibre PTFE impregnated  
with sealing of EPDM or VITON

Housing plate  
entirely of corrosion and acid  
resistant stainless steel

Flanging ring  
entirely of corrosion and acid  
resistant stainless steel (hardened  
if CDSV)

NL-ring  
EPDM or Viton

Slide cups  
polypropylene

Sealing cord  
EPDM or Viton

## Materials

- housing
  - DN 50 – 400 1.4301
  - DN 450 – 600 1.4541
  - DN 700 – 1000 1.4571
- flanging ring
  - DN 50 – 65 1.4571
  - DN 80 1.4404
  - DN 100 – 1000 1.4571
- valve plate 1.4571
- slide cups
  - DN 50 – 600 PP
- sealing EPDM or VITON
- slide parts
  - DN 700 – 1000 CuSn6 / CuAl10Ni
- stuffing box gland 1.4301
- packing assembly
  - DN 50 – 500:
    - packing aramid fibre with impregnation of PTFE
    - p-ring EPDM, VITON or NBR
  - DN 600 aramid fibre with PTFE
  - DN 700 – 1000:
    - packing aramid fibre with impregnation of PTFE
    - p-ring EPDM, VITON or NBR
- press gland
  - DN 50 -150 PE-HMW (RCH 500)
- bracket 1.4301
- screws / nuts A2
- max. operating pressure
  - DN 50 – 250 8 bar
  - DN 300 – 400 6 bar
  - DN 450 – 600 4 bar
  - DN 700 – 1000 2 bar
- max. operating temperature 120° C

Type CDSV similar, but with hardened flanging rings and valve plate.

## Operating elements – the LOHSE modular system

All LOHSE COMPACT-valves comprise the following **main groups**:

- valve body type: CDS, CDSV
- operating elements type Hns, H, P, PV, E, GK, K, X

All elements are interchangeable for any given size. Thereby the connections of brackets as well as the coupling of actuator and valve plate will be removed and fixed again after the exchange. No removal of incorporated valve body (notice safety rules – pipes must be pressureless).

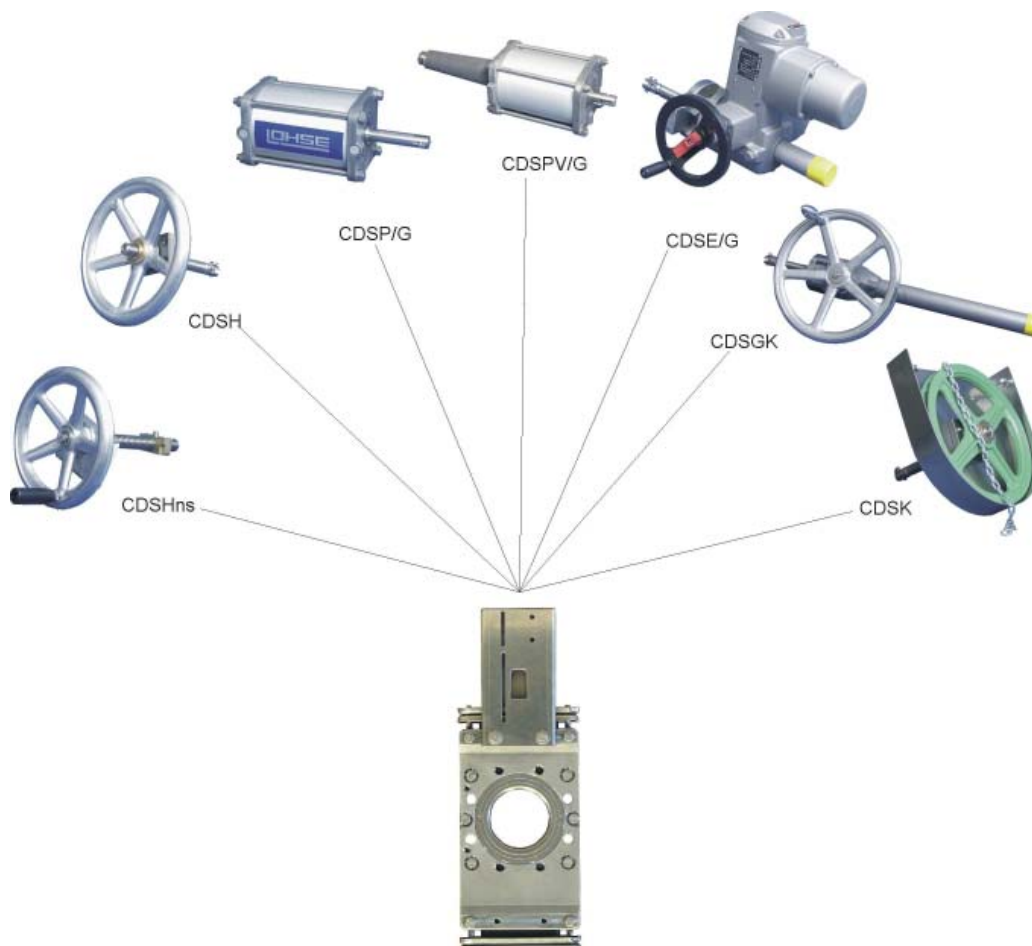
This facility is called the **LOHSE modular system** which offers the following advantages:

- simplified and less expensive holding of spare parts.
- in case of damage, actuating elements can be replaced inexpensively.
- if any valve drives have to be altered, replacement is easy and quick

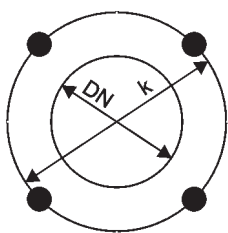
### Protection guards (G)

According to machinery directive 2006/42/EG guards are compulsory to shield all moving parts on automated gate valves.

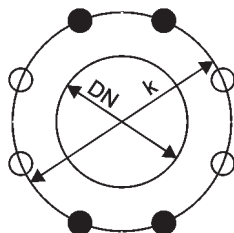
Protection guard of stainless steel.



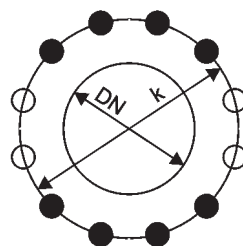
Flange dimensions for LOHSE COMPACT-valves according to DIN EN 1092-1, PN 10



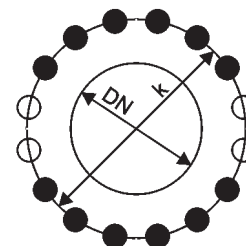
DN 50-65



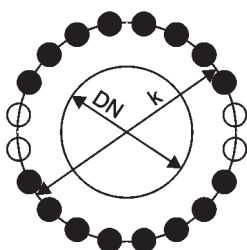
DN 80-200



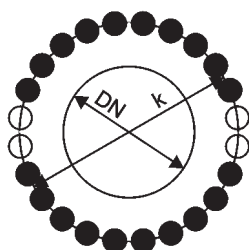
DN 250-300



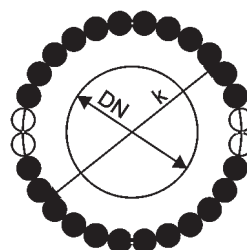
DN 350-400



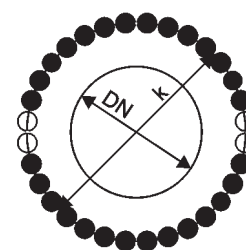
DN 450-600



DN 700-800

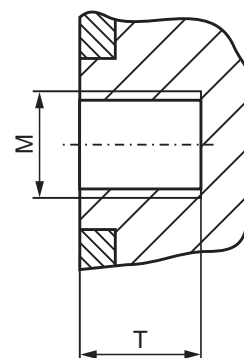


DN 900-1000



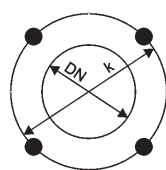
DN 1100-1200

DN [mm]	K [mm]	Z	M	T [mm]	Z1	Z2
50	125	4	M16	12	4	-
65	145	4	M16	12	4	-
80	160	8	M16	12	4	4
100	180	8	M16	12	4	4
125	210	8	M16	12	4	4
150	240	8	M20	16	4	4
200	295	8	M20	16	4	4
250	350	12	M20	20	8	4
300	400	12	M20	20	8	4
350	460	16	M20	20	12	4
400	515	16	M24	23	12	4
450	565	20	M24	30	16	4
500	620	20	M24	30	16	4
600	725	20	M27	35	16	4
700	840	24	M27	40	20	4
800	950	24	M30	45	20	4
900	1050	28	M30	45	24	4
1000	1160	28	M33	45	24	4
1100	1270	32	M33	50	28	4
1200	1380	32	M36	55	28	4

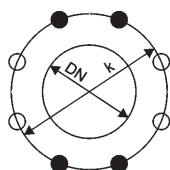


Z = total number of holes  
 Z1 = number of joint-holes  
 Z2 = number of through-going bores

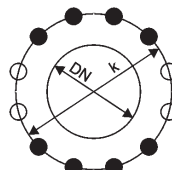
Flange dimensions for LOHSE COMPACT-valves  
according to ANSI B 16.5 Class 150 ≥ DN 700: ANSI B 16.47 Class 150



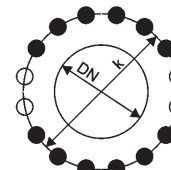
DN 50-80



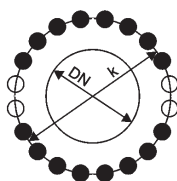
DN 100-200



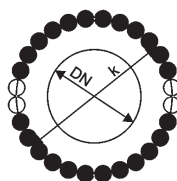
DN 250-350



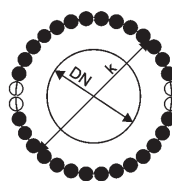
DN 400-450



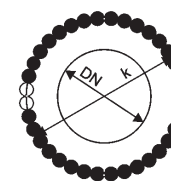
DN 500-600



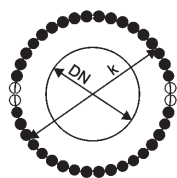
DN 700-800



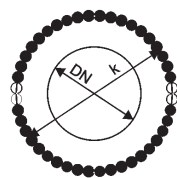
DN 900



DN 1000

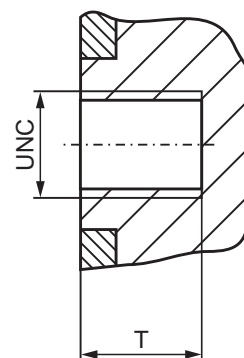


DN 1100



DN 1200

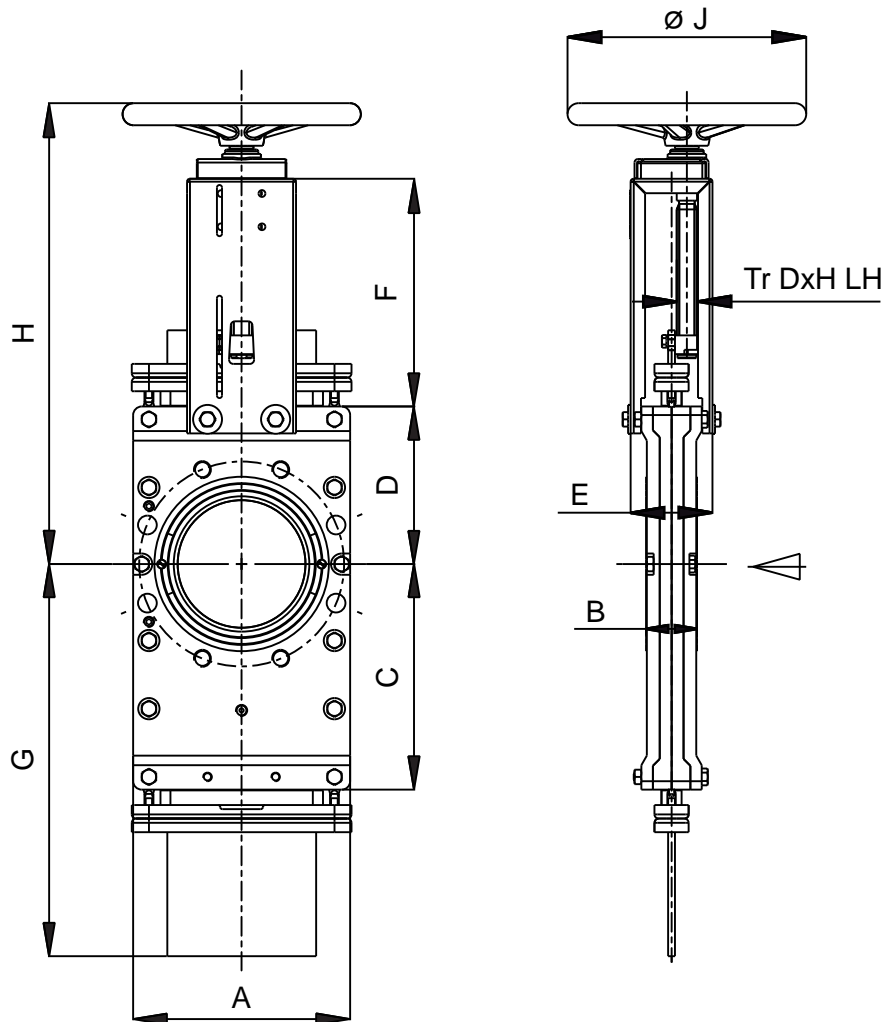
DN [mm]	DN [inch]	K [mm]	K [inch]	Z	UNC	T [mm]	T [inch]	Z1	Z2
50	2	120,6	4 3/4	4	5/8"-11	12	0,472	4	-
65	2,5	139,7	5 1/2	4	5/8"-11	12	0,472	4	-
80	3	152,4	6	4	5/8"-11	12	0,472	4	-
100	4	190,5	7 1/2	8	5/8"-11	12	0,472	4	4
125	5	215,9	8 1/2	8	3/4"-10	12	0,472	4	4
150	6	241,3	9 1/2	8	3/4"-10	16	0,630	4	4
200	8	298,5	11 3/4	8	3/4"-10	16	0,630	4	4
250	10	362	14 1/4	12	7/8"-9	20	0,787	8	4
300	12	431,8	17	12	7/8"-9	20	0,787	8	4
350	14	476,3	18 3/4	12	1"-8	20	0,787	8	4
400	16	539,8	21 1/4	16	1"-8	23	0,910	12	4
450	18	577,9	22 3/4	16	1 1/8"-7	30	1,181	12	4
500	20	635	25	20	1 1/8"-7	30	1,181	16	4
600	24	749,3	29 1/2	20	1 1/4"-7	35	1,378	16	4
700	28	863	34	28	1 1/4"-7	40	1,575	24	4
800	32	978	38 1/2	28	1 1/2"-6	45	1,772	24	4
900	36	1086	42 3/4	32	1 1/2"-6	45	1,772	28	4
1000	40	1200	47 1/4	36	1 1/2"-6	45	1,775	32	4
1100	44	1314	51 3/4	40	1 1/2"-6	50	1,969	36	4
1200	48	1422	56	44	1 1/2"-6	55	2,165	40	4



Z = total number of holes  
Z1 = number of joint-holes  
Z2 = number of through-going bores

COMPACT-shut-off valve with through-going valve plate  
handwheel drive with non-rising stem

Type CDSVHns similar, but with hardened valve plate and flanging rings

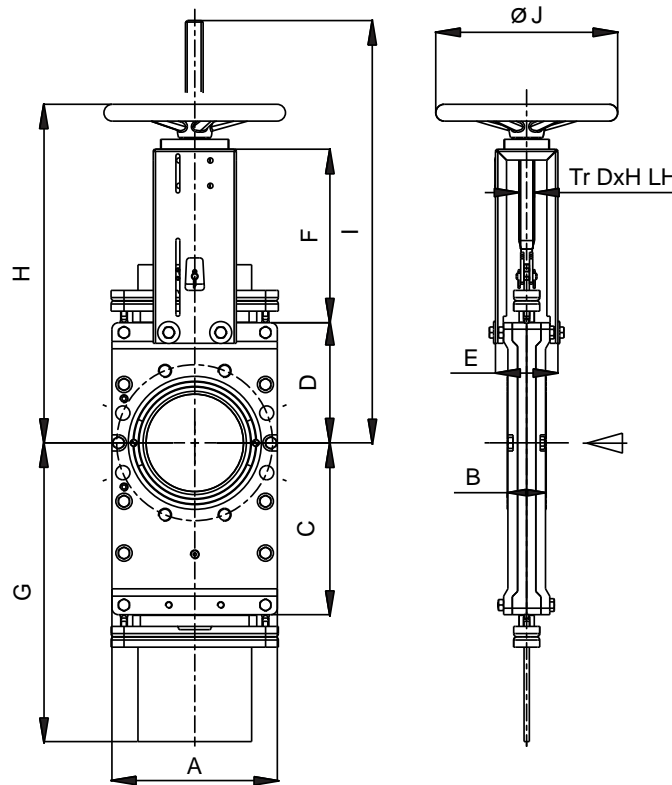


DN	BD [bar]	A	B	C	D	E	F	G	H	Ø J	Tr D x H LH	weight ~[kg]
50	8	160	40	125	125	85	160	212	368	225	20 x 4	13
65	8	160	40	140	140	85	160	238	383	225	20 x 4	13
80	8	185	50	160	145	85	176	282	404	225	20 x 4	16
100	8	205	49	190	155	96	207	331	451	280	24 x 5	24
125	8	235	50	230	170	96	233	401	492	280	24 x 5	31
150	8	255	60	265	185	96	270	461	541	280	24 x 5	39
200	8	325	60	355	222	120	315	614	637	360	30 x 6	67
250	8	400	70	440	263	127	368	753	731	360	30 x 6	115
300	6	430	70	505	300	127	427	873	832	360	30 x 6	143

Dimensions in mm, flange dimensions to DIN EN 1092-1, PN 10.  
Further sizes on request.

COMPACT-shut-off valve with through-going valve plate  
handwheel drive with rising stem

Type CDSVH similar, but with hardened valve plate and flanging rings

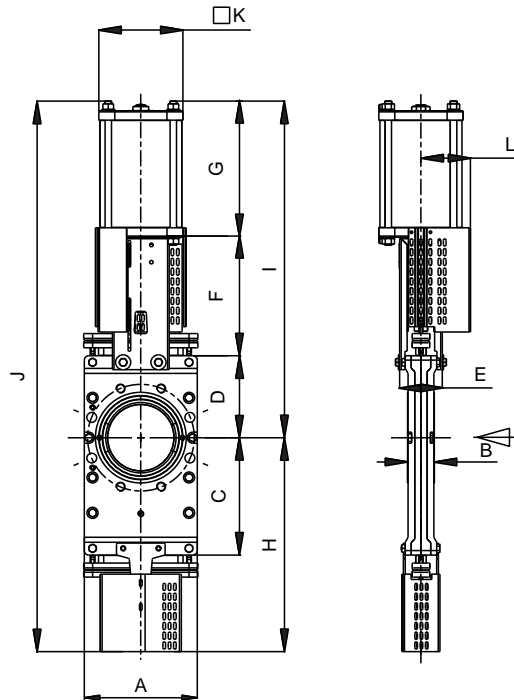


DN	BD [bar]	A	B	C	D	E	F	G	H	I	Ø J	Tr D x H LH	weight ~[kg]
50	8	160	40	125	125	85	160	212	350	395	225	20 x 4	13
65	8	160	40	140	140	85	160	238	365	425	225	20 x 4	13
80	8	185	50	160	145	85	176	282	386	465	225	20 x 4	17
100	8	205	49	190	155	96	207	331	431	530	280	24 x 5	25
125	8	235	50	230	170	96	233	401	472	595	280	24 x 5	31
150	8	255	60	265	185	96	270	461	522	672	280	24 x 5	39
200	8	325	60	355	222	120	315	614	617	820	360	30 x 6	67
250	8	400	70	440	263	127	368	753	711	960	360	30 x 6	116
300	6	430	70	505	300	127	427	873	807	1110	360	30 x 6	143
350	6	490	70	580	340	167	511	1006	947	1300	500	36 x 6	201
400	6	570	90	655	385	189	610	1122	1091	1500	500	36 x 6	266
450	4	630	110	750	435	208	680	1282	1211	1665	500	36 x 6	428
500	4	700	110	840	470	228	735	1422	1301	1805	500	36 x 6	564
600	4	810	130	1000	545	268	850	1667	1491	2105	640	44 x 7	898

Dimensions in mm, flange dimensions to DIN EN 1092-1, PN 10.  
Further sizes on request.

COMPACT-shut-off valve with through-going valve plate  
pneumatic cylinder and protection guard

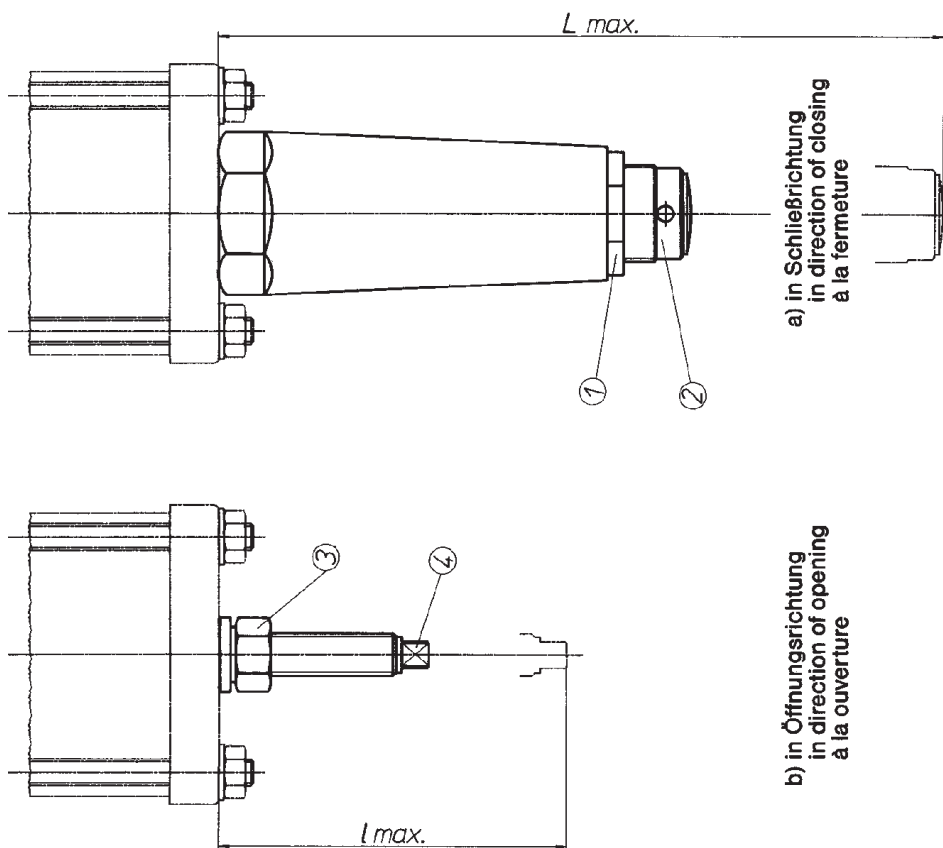
Type CDSVP/G similar, but with hardened valve plate and flanging rings



DN	BD [bar]	A	B	C	D	E	F	G	H	I	J	□K	L	cyl Ø	air connexion	weight ~[kg]
50	8	160	40	125	125	85	160	200	242	485	727	138	108	125	G 1/4"	17
65	8	160	40	140	140	85	160	206	257	506	763	138	108	125	G 1/4"	17
80	8	185	50	160	145	85	176	221	298	542	840	138	108	125	G 1/4"	17
100	8	205	49	190	155	96	207	243	350	605	955	158	114	145	G 1/4"	32
125	8	235	50	230	170	96	233	272	412	675	1087	158	114	145	G 1/4"	36
150	8	255	60	265	185	96	270	305	483	760	1243	190	112	175	G 1/2"	49
200	8	325	60	355	222	120	315	352	626	889	1515	215	125	200	G 1/2"	84
250	8	400	70	440	263	127	368	401	762	1032	1794	215	126	200	G 1/2"	128
300	6	430	70	505	300	127	427	496	883	1223	2106	246	126	230	G 1/2"	163
350	6	490	70	580	340	167	511	571	1011	1422	2433	318	159	300	G 1/2"	235
400	6	570	90	655	385	189	610	621	1132	1616	2748	318	146	300	G 1/2"	320
450	4	630	110	750	435	208	680	666	1367	1781	3148	318	151	300	G 1/2"	519
500	4	700	110	840	470	228	735	789	1457	1994	3451	425	151	400	G 3/4"	718
600	4	810	130	1000	545	268	850	889	1720	2284	4004	425	161	400	G 3/4"	1046
700	2,5	960	150	1155	645	306	996	986	1995	2627	4622	645	-	500	G 3/4"	
800	2,5	1060	150	1310	710	306	1136	1086	2226	2932	5158	645	-	500	G 3/4"	

Dimensions in mm, flange dimensions to DIN EN 1092-1, PN 10.  
Further sizes on request.

COMPACT-shut-off-valve with through-going valve plate  
 pneumatic-cylinder with variable stroke limiter and protection guard  
 Type CDSVPV/G similar, but with hardened valve plate and flanging rings



### Variable stroke limiter

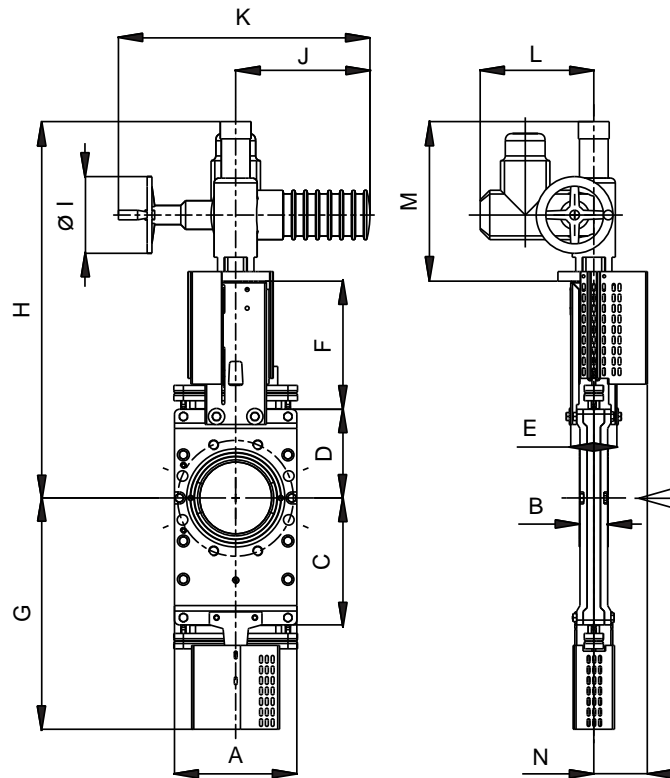
- in direction of closing:  
loosen the nut (1), adjust the adjustable pipe (2), tighten the nut (1)
- in direction of opening:  
loosen the nut (3), adjust the adjustable screw (4) tighten the nut

DN	cyl.Ø	in direction of opening	in direction of closing
		L max ~	L max ~
50	125	140	283
65	125	140	283
80	125	140	283
100	145	190	439
125	145	190	439
150	175	202	439
200	200	252	554

Further sizes on request.

COMPACT-shut-off-valve with through-going valve plate  
electric drive and protection guard

Type CDSVE/G similar, but with hardened valve plate and flanging rings

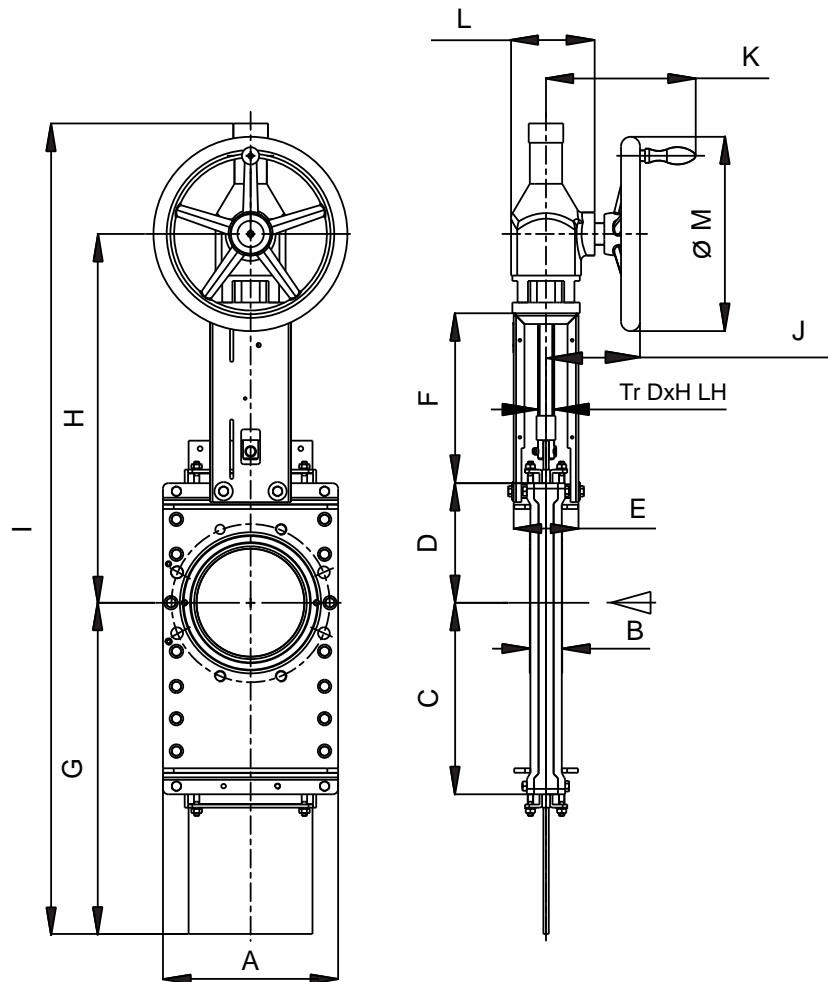


DN	BD [bar]	A	B	C	D	E	F	G	H	ØI	J	K	L	M	N	stem Tr DxH	closing time [s]	weight ~[kg]
50	8	160	40	125	125	85	160	242	618	140	280	509	237	333	108	20 x 4	19,3	36
65	8	160	40	140	140	85	160	257	633	140	280	509	237	333	108	20 x 4	24,3	36
80	8	185	50	160	145	85	176	298	654	140	280	509	237	333	108	20 x 4	29,3	40
100	8	205	49	190	155	96	207	350	695	160	280	525	237	333	114	24 x 5	29,1	47
125	8	235	50	230	170	96	233	412	736	160	280	525	237	333	114	24 x 5	35,7	54
150	8	255	60	265	185	96	270	483	786	160	280	525	237	333	112	24 x 5	42,4	62
200	8	325	60	355	222	120	315	626	882	200	355	603	247	345	126	30 x 6	45,0	96
250	8	400	70	440	263	127	368	762	976	200	355	603	247	345	126	30 x 6	56,4	145
300	6	430	70	505	300	127	427	883	1165	200	355	603	247	438	126	30 x 6	68,9	172
350	6	490	70	580	340	167	511	1011	1294	200	355	603	247	443	142	36 x 6	78,4	230
400	6	570	90	655	385	189	610	1132	1503	315	380	695	285	508	146	36 x 6	89,8	295
450	4	630	110	750	435	208	680	1367	1723	315	380	695	285	608	151	36 x 6	100,9	500
500	4	700	110	840	470	228	735	1475	1813	315	380	695	285	608	151	36 x 6	112,2	645
600	4	810	130	1000	545	268	850	1720	2103	315	380	695	285	708	161	44 x 7	83,0	989

Dimensions in mm, flange dimensions to DIN EN 1092-1, PN 10.  
Further sizes on request.

COMPACT-shut-off-valve with through-going valve plate  
bevel gear box and handwheel

Type CDSVGK similar, but with hardened valve plate and flanging rings

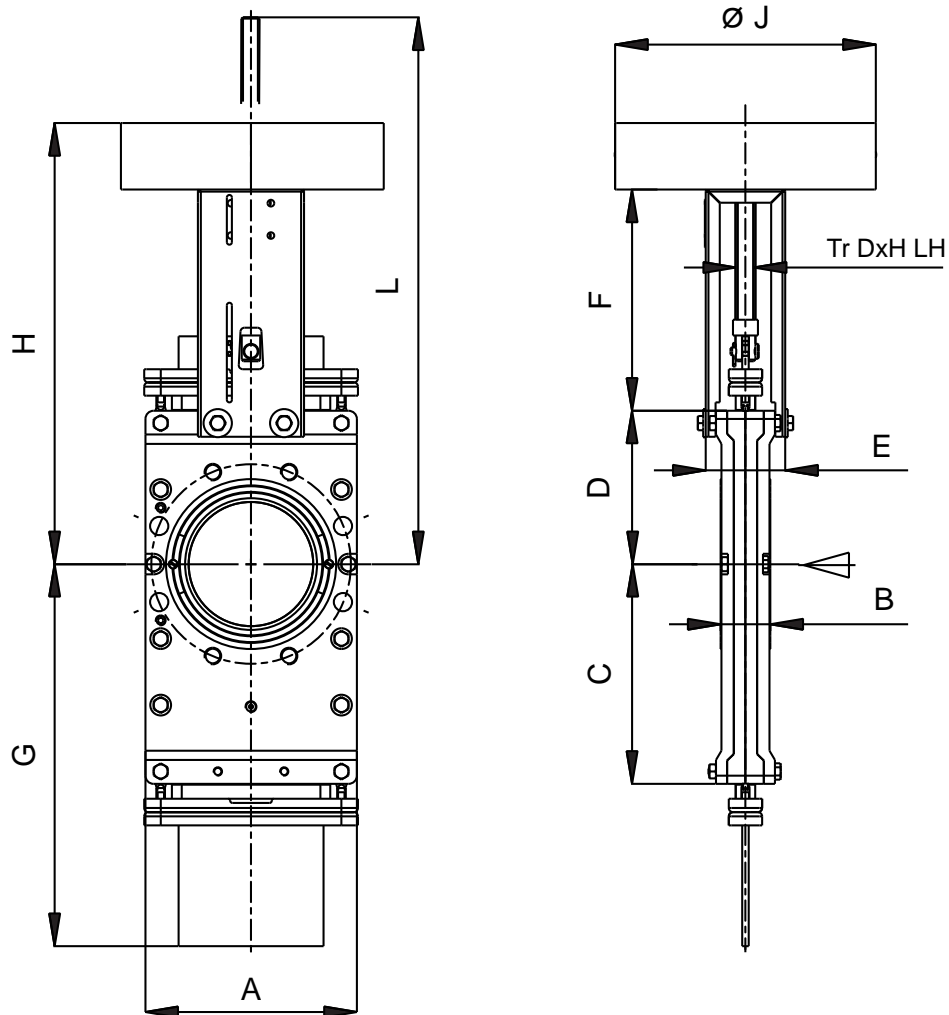


DN	BD [bar]	A	B	C	D	E	F	G	H	I	J	K	L	ØM	Tr DxH	weight ~[kg]
200	8	325	60	355	222	120	315	614	684	1503	174	278	155	360	30 x 6	87
250	8	400	70	440	263	127	368	753	778	1786	174	278	155	360	30 x 6	134
300	6	430	70	505	300	127	427	873	874	2052	174	278	155	360	30 x 6	164
350	6	490	70	580	340	167	511	1006	1003	2364	177	295	178	400	36 x 6	215
400	6	570	90	655	385	189	610	1122	1147	2669	177	295	178	400	36 x 6	279
450	4	630	110	750	435	208	680	1285	1267	2999	177	295	178	400	36 x 6	431
500	4	700	110	840	470	228	735	1422	1395	3309	222	340	205	400	36 x 6	592
600	4	810	130	1000	545	268	850	1667	1585	3817	222	340	205	500	44 x 7	903
700	2,5	960	150	1155	645	306	996	1948	1831	4445	222	340	205	500	44 x 7	
800	2,5	1060	150	1310	710	306	1136	2178	2036	4978	222	340	205	500	44 x 7	

Dimensions in mm, flange dimensions to DIN EN 1092-1, PN 10.  
Further sizes on request.

COMPACT-shut-off-valve with through-going valve plate  
sprocket drive

Type CDSVK similar, but with hardened valve plate and flanging rings



DN	BD [bar]	A	B	C	D	E	F	G	H	L	Ø J	Tr D x H LH	weight ~[kg]
50	8	160	40	125	125	85	160	212	366	395	274	20 x 4	18
65	8	160	40	140	140	85	160	238	381	425	274	20 x 4	19
80	8	185	50	160	145	85	176	282	402	460	274	20 x 4	23
100	8	205	49	190	155	96	207	331	441	530	314	24 x 5	31
125	8	235	50	230	170	96	233	401	482	595	314	24 x 5	37
150	8	255	60	265	185	96	270	461	532	667	314	24 x 5	47
200	8	325	60	355	222	120	315	614	616	815	394	30 x 6	79
250	8	400	70	440	263	127	368	753	710	955	394	30 x 6	127
300	6	430	70	505	300	127	427	873	806	1106	394	30 x 6	150

Dimensions in mm, flange dimensions to DIN EN 1092-1, PN 10.  
Further sizes on request.

## Germany + Switzerland

**MARTIN LOHSE GmbH**  
Postfach 1565  
89505 Heidenheim  
Phone: +49 (0) 73 21 / 7 55-0  
Fax: +49 (0) 73 21 / 7 55-99  
server.ab@lohse-gmbh.de  
www.lohse-gmbh.de

## Australia + New Zealand

**Voith Paper**  
**Australia & New Zealand Pty Ltd**  
Suite 10/33 Waterloo Road  
North Ryde, NSW 2113  
Phone: +61 (02) 9888 9399  
Fax: +61 (02) 9888 9899  
vfaz@voith.com

## Austria + CZ, SK, SLO, HR, H

**Peter Reiter**  
Handel Mazzetti-Str. 85  
3100 St. Pölten  
Phone: +43 (0) 27 42 / 7 73 66  
Fax: +43 (0) 27 42 / 7 73 66  
fa.reiter@aon.at

## Belgium

**Hanwel Belgium S.A.**  
Winninglaan 15  
9140 Temse  
Phone: +32 (0) 3 / 7 11 03 53  
Fax: +32 (0) 3 / 7 11 05 79  
info@hanwel.be  
www.hanwel.be

## People's Rep. Of China

**Shanghai Fier Mechanical Co. LTD**  
Room B4, 15/F HuaFu Bldg.  
No. 585 LongHua xi Rd.  
ShangHai, China 200232  
Phone: +86-21-54591038  
Fax: +86-21-54240616  
MP: 13611665381  
shfier@163.com  
www.fier.com.cn

## Denmark

**Uni-Valve A/S**  
Sydvestvej 138 – 140  
2600 Glostrup  
Phone: +45 (0) 43 43 82 00  
Fax: +45 (0) 43 43 74 75  
mail@uni-valve.com  
www.uni-valve.com

## Finland

**Aseko Oy**  
Tinankuja 3  
02430 Masala  
Phone: +358 (10) 400 10 12  
Fax: +358 (10) 400 12 00  
markkinointi@aseko.fi  
www.aseko.fi

## France, MA, TN, DZ

**T.N.P.**  
4, Le Parvis  
94100 Saint-Maur  
Phone: +33 (0) 1 / 55 97 11-11  
Fax: +33 (0) 1 / 48 83 52 07  
info@tnp.fr  
www.tnp.fr

## Great Britain

**Voith Turbo Ltd.**  
6 Beddington Farm Road  
Croydon, Surrey CRO, 4XB  
Phone: +44 (0) 2 08 / 6 67 03 33  
Fax: +44 (0) 2 08 / 6 67 04 03  
kevin.bracken@voith.com

## Greece

**Dimitrios Mikopoulos**  
P.O. Box 77128  
17501 Athens-Pal. Faliro  
Phone: +30 210 / 9 88 44 03  
Fax: +30 210 / 9 88 21 76  
mikoath@otenet.gr

## India

**Antrieb Technik Private Limited**  
59 (old 359) Sidco Industrial Estate  
Ambattur  
Chennai-600 098  
Tamilnadu / INDIA  
Phone: +91 (44) 262 – 58303  
Fax: +91 (44) 2819 – 3718  
antrieb.technik@gmail.com

## Indonesia, Singapore, Malaysia

**P.T. VOITH PAPER**  
Perkantoran Hijau Arkadia  
Menara B, 15th floor  
Jl. Letjen. TB. Simatupang kav. 88  
Jakarta 12520, INDONESIA  
Phone : +62 (21) 7884 5922  
Fax : +62 (21) 7884 5925  
bertinus.tirtadihardja@voith.com

## Israel

**P. B. A. Wiesner Ltd.**  
P. O. Box 4622  
Petach-Tikva 49277  
Phone: +972 (0) 3 / 9 05 21 11  
Fax: +972 (0) 3 / 9 05 21 10  
mailnet@pba.co.il

## Italy

**Techno Paper S.R.L.**  
Viale Colleoni, 25  
20041 Agrate Brianza  
Phone: +39 039 / 6 05 68 86  
Fax: +39 039 / 6 05 67 75  
info@techno-paper.com  
www.techno-paper.com

## Japan

**Voith IHI Paper Technology Co.Ltd.**  
Kyobashi Bldg. 3F  
2-9-14 Yaesu  
Chuo-ku  
104-0028 Tokyo  
Phone: +81 (0) 3 3277 / 4102  
Fax: +81 (0) 3 3277 / 4130  
info@voith.ihi.co.jp

## Korea

**C.S-Automation Co., Ltd. (Customer Satisfaction Automation)**  
#804 Sejung Technovalley  
279-5 Songjeong-Dong  
Heungdeok-Gu  
Cheongju-Si  
South Korea. 361-290  
Phone: +82 43 276 1332  
Fax: +82 43 278 1332  
changseol@korea.com

## Netherlands

**Hanwel B. V.**  
Jan Tinbergenstraat 209  
7559 SP Hengelo  
The Netherlands  
Phone: +31 74-2650000  
Fax: +31 74-2650001  
verkoop@hanwel.com  
www.hanwel.com

## Norway

**KSB Lindflaten AS**  
Vollsveien 9  
1366 Lysaker  
Phone: +47 67 12 99 00  
Fax: +49 67 12 99 01  
firmapost@lindflaten.no  
www.ksblindflaten.no

## Philippines

**R. Dan and Co., Inc.**  
20 Alfonso St.  
Rosario  
Pasig City 1609  
Phone: +632 – 6558796  
Fax: +632 – 6562089  
ester.poe@robertdan.com.ph  
www.robertdan.com.ph

## Poland

**Waldemar Kulicki**  
ul. Heweliusza 37/4  
87-148 Papowo Toruńskie  
Phone: +48 (0) 56 / 6783399  
Fax: +48 (0) 56 / 6783880  
waldemar-kulicki@wp.pl  
www.wkulicki.eu

## Portugal

**Celpapel, Lda.**  
Rua Armando Cortez, 1 – 1º D  
2770-233 Paço de Arcos  
Phone: +351 (0) 21 / 313 8340  
Fax: +351 (0) 21 / 356 1335  
office@celpapel.com

## Rep. of South Africa

**Voith Turbo (Pty) Ltd**  
P.O. Box 13171  
Witfield, 1467  
Gauteng, SOUTH AFRICA  
Phone: +27 11 418 4000  
Fax: +27 11 418 4080  
info.vtza@voith.com  
www.rsa.voithturbo.com

## Spain

**CELPAP EQUIPOS, S.L.**  
C/Amposta, 14-18  
08174 Sant Cugat del Vallés  
(Barcelona)  
Tel. +34 93 415 18 75  
Fax. +34 93 237 03 81  
celpap@celpap.com  
www.celpap.com

## Sweden

**PA-Ventiler AB**  
Sagbäcksvägen 38  
43736 Lindome  
Phone: +46 (0) 31 / 99 25 00  
Fax: +46 (0) 31 / 99 25 03  
info@paventiler.se  
www.paventiler.se

## Taiwan

**E-Chen Engineering Co., Ltd.**  
3F-3, No. 151, Sec. 4,  
Hsin-Yi Road,  
Taipei, Taiwan, R.O.C.  
Phone: +886 (0) 22 / 7056185  
Fax: +886 (0) 22 / 7 04 59 67  
echen123@ms15.hinet.net

## Thailand

**Weston Myer Ltd.**  
8 Soi Seri-Thai 58  
Seri-Thai Road  
10510 Minburi Bangkok  
Phone: +66 (0) 2 / 3 74 58 69  
Fax: +66 (0) 2 / 3 75 – 11 79  
comm1@westonmyer.com

## Turkey

**Sanrep Kağıt San. ve Tic. Ltd. Şti.**  
Altıyol, Kuşdili Caddesi No:19/7  
H.Fazlıoğlu İş Merkezi  
34714 Kadıköy – İSTANBUL  
Phone: +90 216 345 40 48  
Fax: +90 216 330 73 12  
sanrep@sanrep.com  
www.sanrep.com

## USA, Canada, Mexico

**Voith Paper Inc.**  
2200 N. Roemer Rd.  
Appleton, WI 54912-2237  
Phone: +1 (0) 920 – 731 – 0769  
Fax: +1 (0) 920 – 731- 0240  
troy.vanasten@voith.com