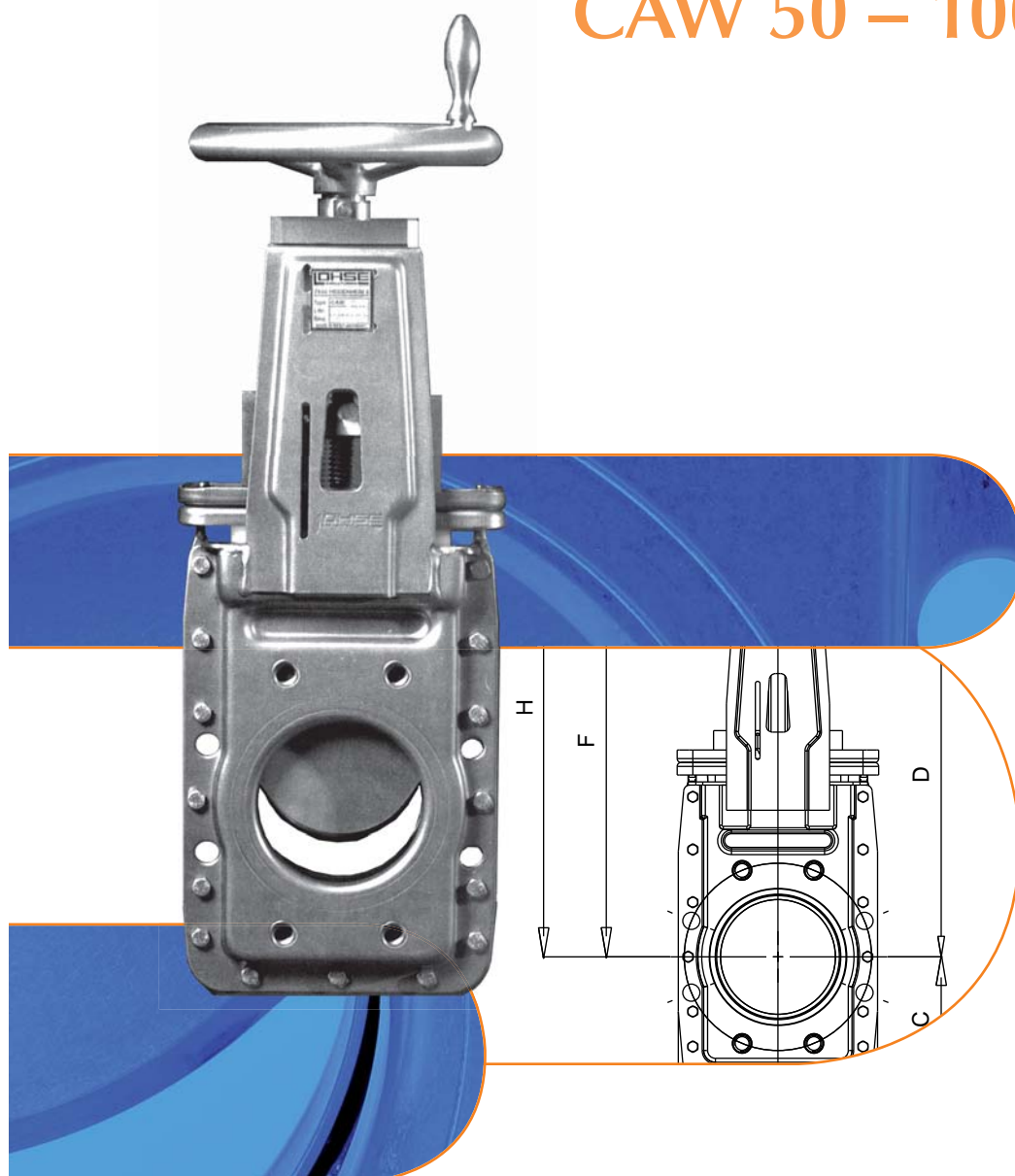


Valves of stainless steel · COMPACT-Program

Shut-Off-Valves

CAW 50 – 1000 mm



MARTIN LOHSE GmbH
 Unteres Paradies 63 · D-89522 Heidenheim
 Postfach 1565 · D-89505 Heidenheim
 Tel. +49(0)7321 / 755-42 · Fax +49(0)7321 / 755-97
 E-Mail: server.ab@lohse-gmbh.de
 Internet: www.lohse-gmbh.de

Applications



Municipal sewage treatment

When LOHSE COMPACT-gate valves of acid resistant stainless steel are installed in waste water treatment plants, the need to use expensive isolation appliances to guard against contact-corrosion is removed.



Food industry

LOHSE COMPACT-gate valves with seals, suitable for food, are widely used as shut-off valves for viscous and glutinous media as for instance in salt works, sugar mills, wine making industry, breweries etc.

Construction

Stainless steel housing

- of a rust and acid resistant material which prevents not only its own corrosion but also contact corrosion on stainless steel piping therefore saving expensive isolation materials
- two parts – easy to maintain
- made from pressed stainless steel plate which keeps its shape – light and easy to install
- the frame for the drive acts at the same as a fastening for the switch and control mechanisms

Plastic slide lining

- this material has the highest slide properties but at the same time is abrasion resistant
- resistant to temperature extremes and acid
- easy to change

Edelstahlschieberplatte

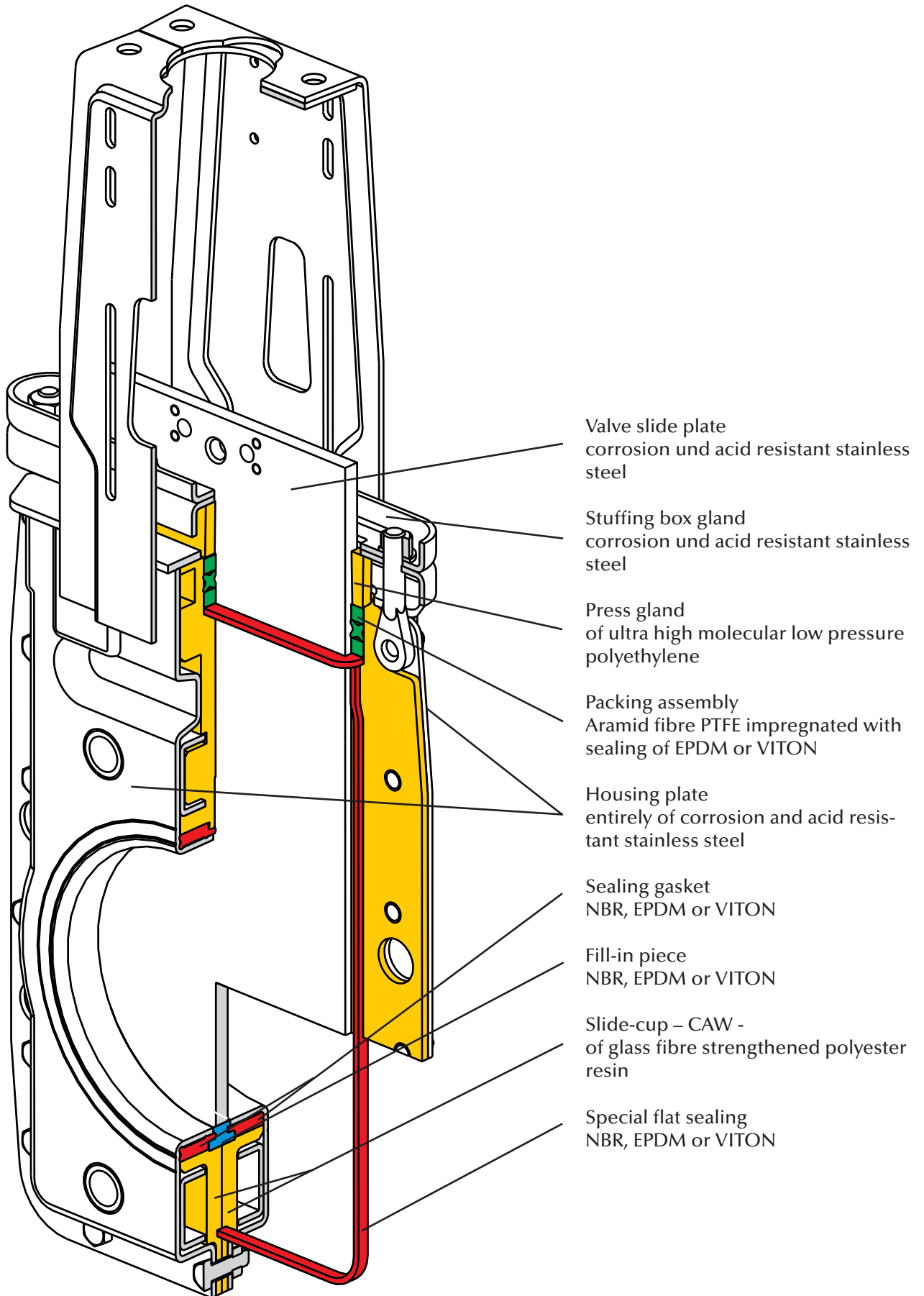
- of a rust and acid resistant material

Flow opening = the nominal width of the piping

- no contraction caused by guide strips to the side
- by using an elastomer you guarantee a completely smooth flow

Drives all part of the proven LOHSE modular system

- easy-to-use handwheel with a handle grip to quickly open or shut the valve by hand
- electro or pneumatic drives to enable activation from a distance
- drives are exchangeable in the case of all our valves even in an assembled condition
- drive accessories can be optimally attuned to one another



Materials

- housing
 - DN 50 – 250 1.4404
 - DN 300 – 600 1.4541
 - DN 700 – 1000 1.4571
- flanging ring
 - DN 700 – 1000 1.4571
- valve plate 1.4571
- slide cups
 - DN 50 – 250 GRP
 - DN 300 – 600 PP
- sealing EPDM, VITON or NBR
- slide parts
 - DN 700 – 1000 CuSn6 / CuAL10Ni
- stuffing box gland
 - DN 50 – 150 1.4301
 - DN 200 – 450 1.4541
 - DN 500 – 600 1.4301
 - DN 700 – 1000 1.4571
- packing assembly
 - packing aramid fibre with impregnation of PTFE
 - p-ring EPDM, VITON or NBR
- press gland
 - DN 50 -150 PE-HMW (RCH 500)
- bracket 1.4301
- screws / nuts A2
- max. operating pressure
 - DN 50 – 80 8 bar
 - DN 100 – 200 6 bar
 - DN 250 – 300 4 bar
 - DN 350 – 600 2,5 bar
 - DN 700 – 1000 1,5 bar
- max. operating temperature
 - with sealing NBR 105° C
 - with sealing EPDM 120° C

Operating elements – the LOHSE modular system

All LOHSE COMPACT-valves comprise the following **main groups**:

- valve body type: CAW
- operating elements type Hns, P, E, GK, K, X (accessories such as e.g. extensions on inquiry)

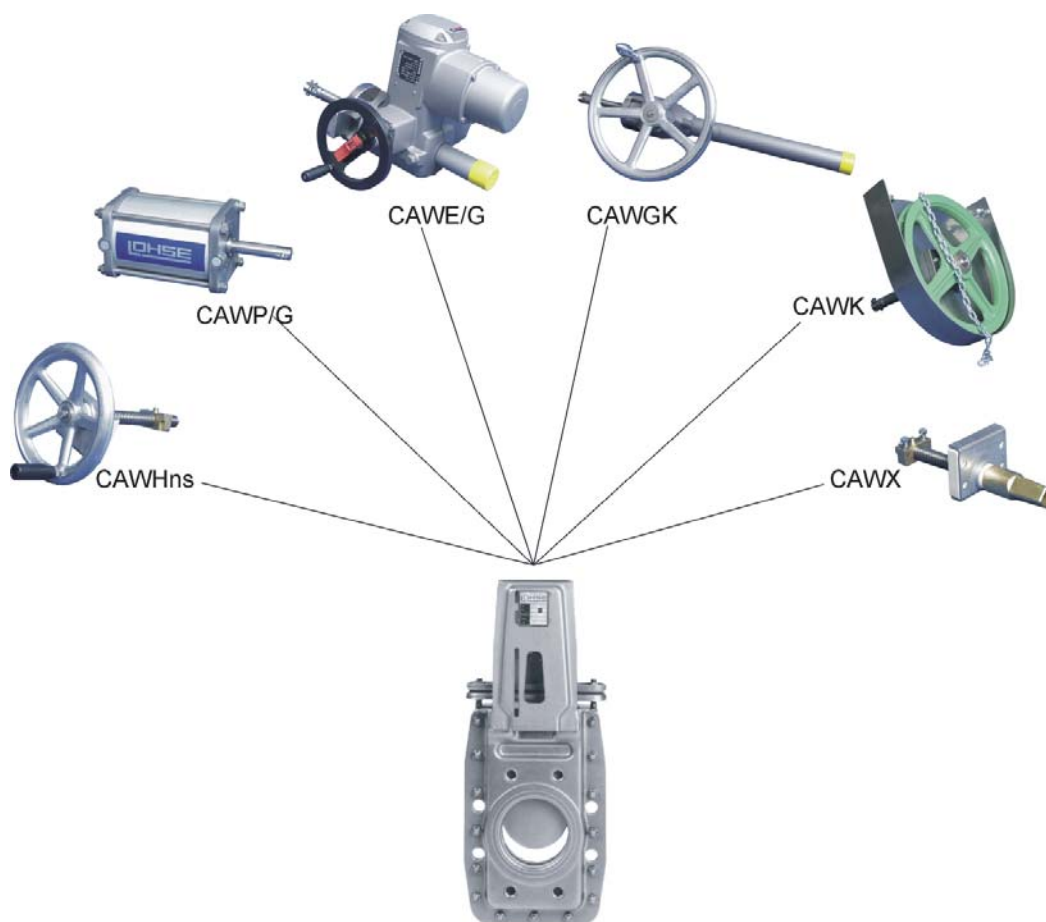
All elements are interchangeable for any given size. Thereby the connections of brackets as well as the coupling of actuator and valve plate will be removed and fixed again after the exchange. No removal of incorporated valve body (notice safety rules – pipes must be pressureless).

This facility is called the **LOHSE modular system** which offers the following advantages:

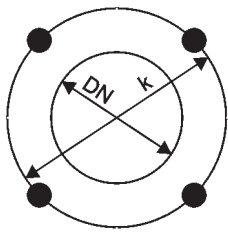
- simplified and less expensive holding of spare parts.
- in case of damage, actuating elements can be replaced inexpensively.
- if any valve drives have to be altered, replacement is easy and quick

Protection guards (G)

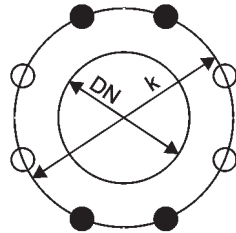
According to machinery directive 2006/42/EG guards are compulsory to shield all moving parts on automated gate valves.
Protection guard of stainless steel.



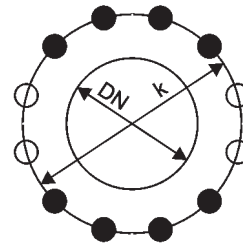
Flange dimensions for LOHSE COMPACT-valves according to DIN EN 1092-1, PN 10



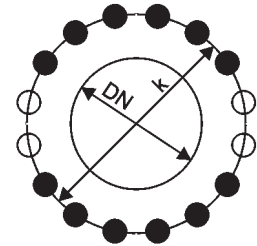
DN 50-65



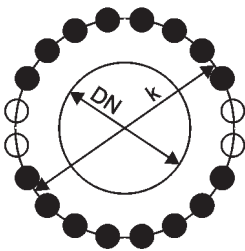
DN 80-200



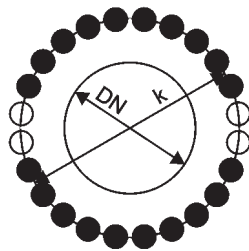
DN 250-300



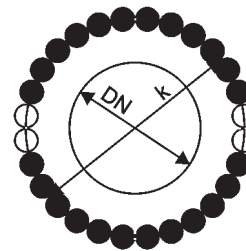
DN 350-400



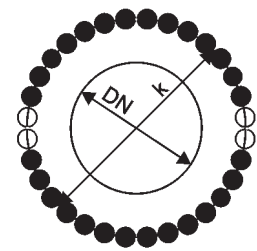
DN 450-600



DN 700-800

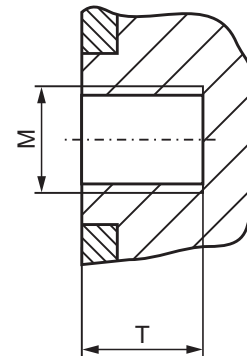


DN 900-1000



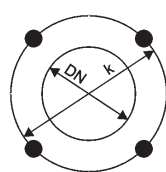
DN 1100-1200

DN [mm]	K [mm]	Z	M	T [mm]	Z1	Z2
50	125	4	M16	12	4	-
65	145	4	M16	12	4	-
80	160	8	M16	12	4	4
100	180	8	M16	12	4	4
125	210	8	M16	12	4	4
150	240	8	M20	16	4	4
200	295	8	M20	16	4	4
250	350	12	M20	20	8	4
300	400	12	M20	20	8	4
350	460	16	M20	20	12	4
400	515	16	M24	23	12	4
450	565	20	M24	30	16	4
500	620	20	M24	30	16	4
600	725	20	M27	35	16	4
700	840	24	M27	40	20	4
800	950	24	M30	45	20	4
900	1050	28	M30	45	24	4
1000	1160	28	M33	45	24	4
1100	1270	32	M33	50	28	4
1200	1380	32	M36	55	28	4

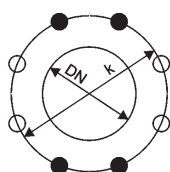


Z = total number of holes
 Z1 = number of joint-holes
 Z2 = number of through-going bores

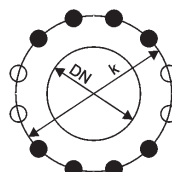
Flange dimensions for LOHSE COMPACT-valves
according to ANSI B 16.5 Class 150 ≥ DN 700: ANSI B 16.47 Class 150



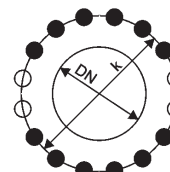
DN 50-80



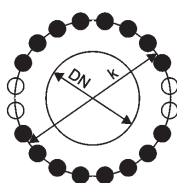
DN 100-200



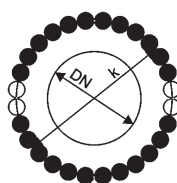
DN 250-350



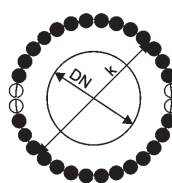
DN 400-450



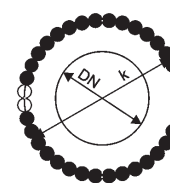
DN 500-600



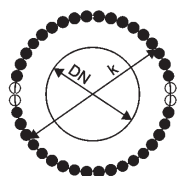
DN 700-800



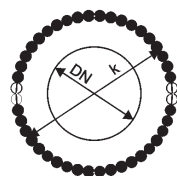
DN 900



DN 1000

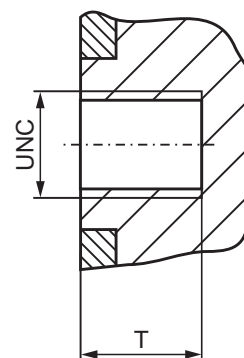


DN 1100



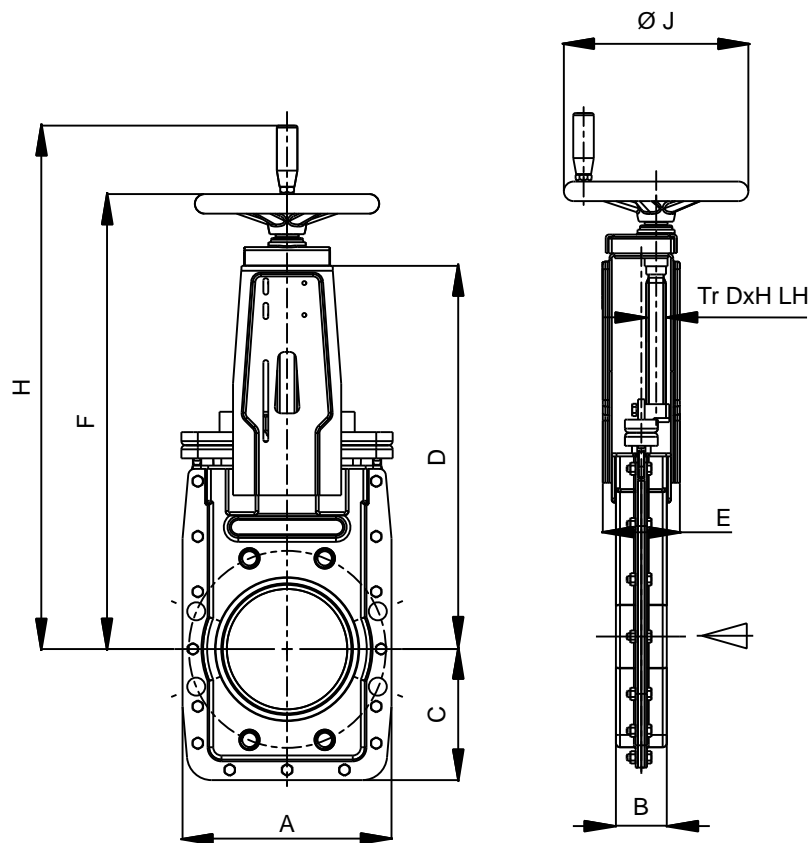
DN 1200

DN [mm]	DN [inch]	K [mm]	K [inch]	Z	UNC	T [mm]	T [inch]	Z1	Z2
50	2	120,6	4 3/4	4	5/8"-11	12	0,472	4	-
65	2,5	139,7	5 1/2	4	5/8"-11	12	0,472	4	-
80	3	152,4	6	4	5/8"-11	12	0,472	4	-
100	4	190,5	7 1/2	8	5/8"-11	12	0,472	4	4
125	5	215,9	8 1/2	8	3/4"-10	12	0,472	4	4
150	6	241,3	9 1/2	8	3/4"-10	16	0,630	4	4
200	8	298,5	11 3/4	8	3/4"-10	16	0,630	4	4
250	10	362	14 1/4	12	7/8"-9	20	0,787	8	4
300	12	431,8	17	12	7/8"-9	20	0,787	8	4
350	14	476,3	18 3/4	12	1"-8	20	0,787	8	4
400	16	539,8	21 1/4	16	1"-8	23	0,910	12	4
450	18	577,9	22 3/4	16	1 1/8"-7	30	1,181	12	4
500	20	635	25	20	1 1/8"-7	30	1,181	16	4
600	24	749,3	29 1/2	20	1 1/4"-7	35	1,378	16	4
700	28	863	34	28	1 1/4"-7	40	1,575	24	4
800	32	978	38 1/2	28	1 1/2"-6	45	1,772	24	4
900	36	1086	42 3/4	32	1 1/2"-6	45	1,772	28	4
1000	40	1200	47 1/4	36	1 1/2"-6	45	1,775	32	4
1100	44	1314	51 3/4	40	1 1/2"-6	50	1,969	36	4
1200	48	1422	56	44	1 1/2"-6	55	2,165	40	4



Z = total number of holes
Z1 = number of joint-holes
Z2 = number of through-going bores

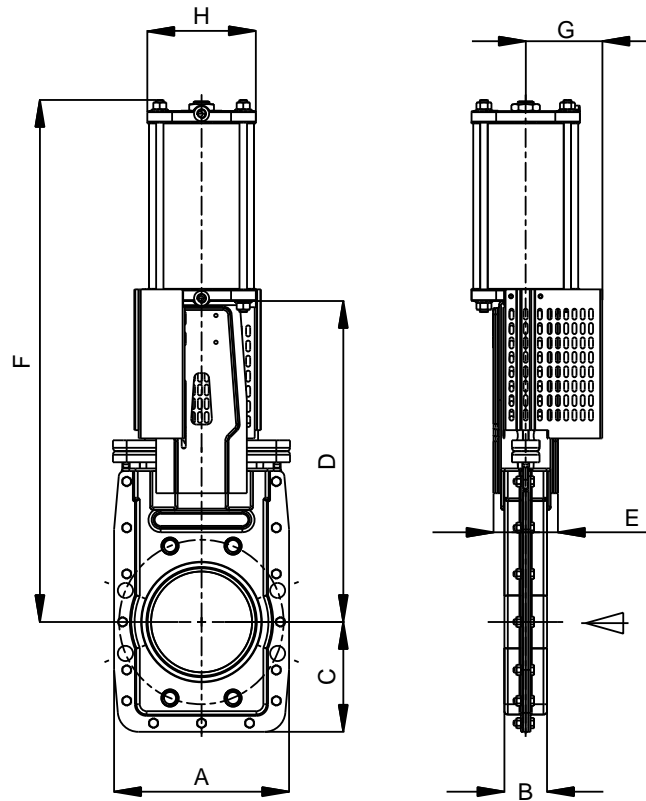
COMPACT-shut-off-valve handwheel drive with non-rising stem



DN	BD [bar]	A	B	C	D	E	F	H	Ø J	Tr D x H LH	weight ~[kg]
50	8	185	42	100	313	78	394	478	180	20 x 4	9
65	8	185	42	100	313	78	394	478	180	20 x 4	9
80	8	175	52	125	313	78	395	478	180	20 x 4	9
*)100	8	210	52	135	368	94	456	539	225	24 x 5	13
*)125	8	230	52	145	413	94	500	584	225	24 x 5	15
*)150	8	255	62	160	468	94	556	639	225	24 x 5	19
200	8	328	60	189	557	143	656	739	280	30 x 6	38
250	8	400	68	230	668	166	767	850	280	30 x 6	49
300	6	450	72	260	764	170	869	-	360	30 x 6	77
350	2,5	510	72	290	907	190	998	998	360	30 x 6	129
400	2,5	575	90	326	1059	190	1163	1163	500	30 x 6	182
450	2,5	630	92	315	1200	208	1304	1304	500	30 x 6	249
500	2,5	700	92	350	1265	228	1384	1384	500	36 x 6	263
600	2,5	810	112	405	1495	268	1614	1614	500	36 x 6	461

*) opening DN - 3mm, full opening on request.
Dimensions in mm, flange dimensions to DIN EN 1092-1, PN 10.
Further sizes on request.

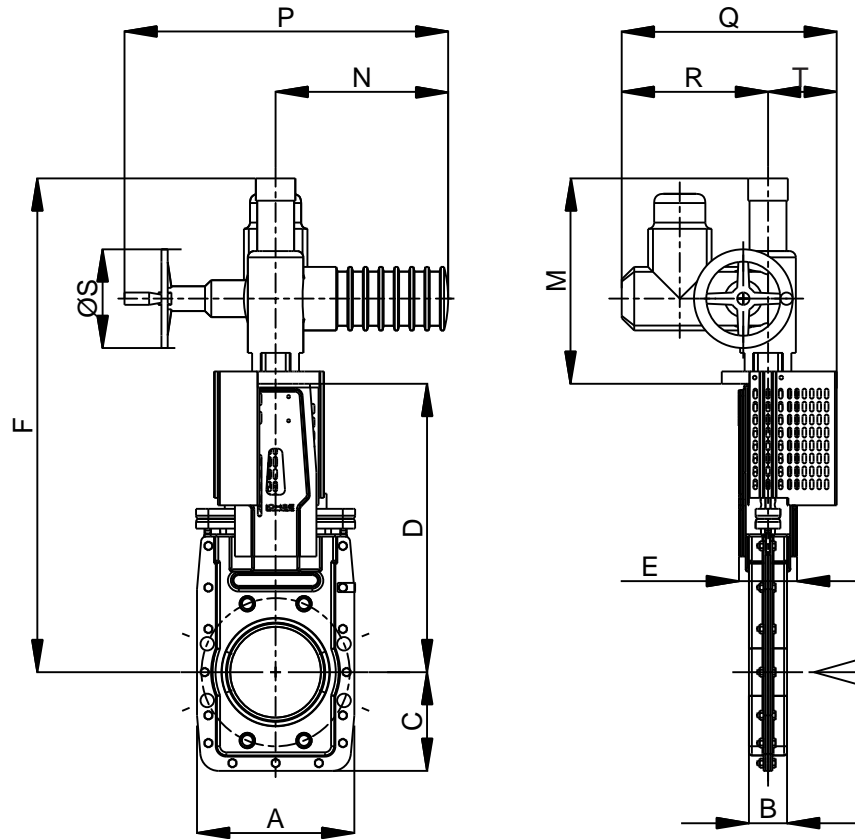
COMPACT-shut-off-valve
pneumatic cylinder and protection guard



DN	BD [bar]	A	B	C	D	E	F	G	H	cyl.Ø	air connection	control pressure [bar]	weight ~[kg]
50	8	185	42	100	313	78	495	112	112	100	G 1/8"	6	11
65	8	185	42	100	313	78	510	112	112	100	G 1/8"	6	11
80	8	175	52	123	313	78	525	112	112	100	G 1/8"	6	11
*)100	8	210	52	135	368	94	611	112	138	125	G 1/4"	6	17
*)125	8	255	52	145	413	94	685	112	138	125	G 1/4"	6	19
*)150	8	255	62	160	468	94	761	112	158	145	G 1/4"	6	24
200	8	328	60	190	557	143	910	126	190	175	G 1/2"	6	48
250	8	400	68	230	668	166	1071	126	190	175	G 1/2"	6	65
300	6	450	72	260	764	170	1218	126	215	200	G 1/2"	6	79
350	6	510	72	290	907	190	1442	142	246	230	G 1/2"	6	150
400	6	575	90	326	1059	190	1680	146	246	230	G 1/2"	6	198
450	4	630	92	315	1200	208	1866	151	318	300	G 1/2"	6	310
500	4	700	92	350	1265	228	1986	151	318	300	G 1/2"	6	343
600	4	810	112	405	1495	268	2314	161	318	300	G 1/2"	6	517

*) Opening DN - 3mm, full opening on request.
Dimensions in mm, flange dimensions to DIN EN 1092-1, PN 10.
Further sizes on request.

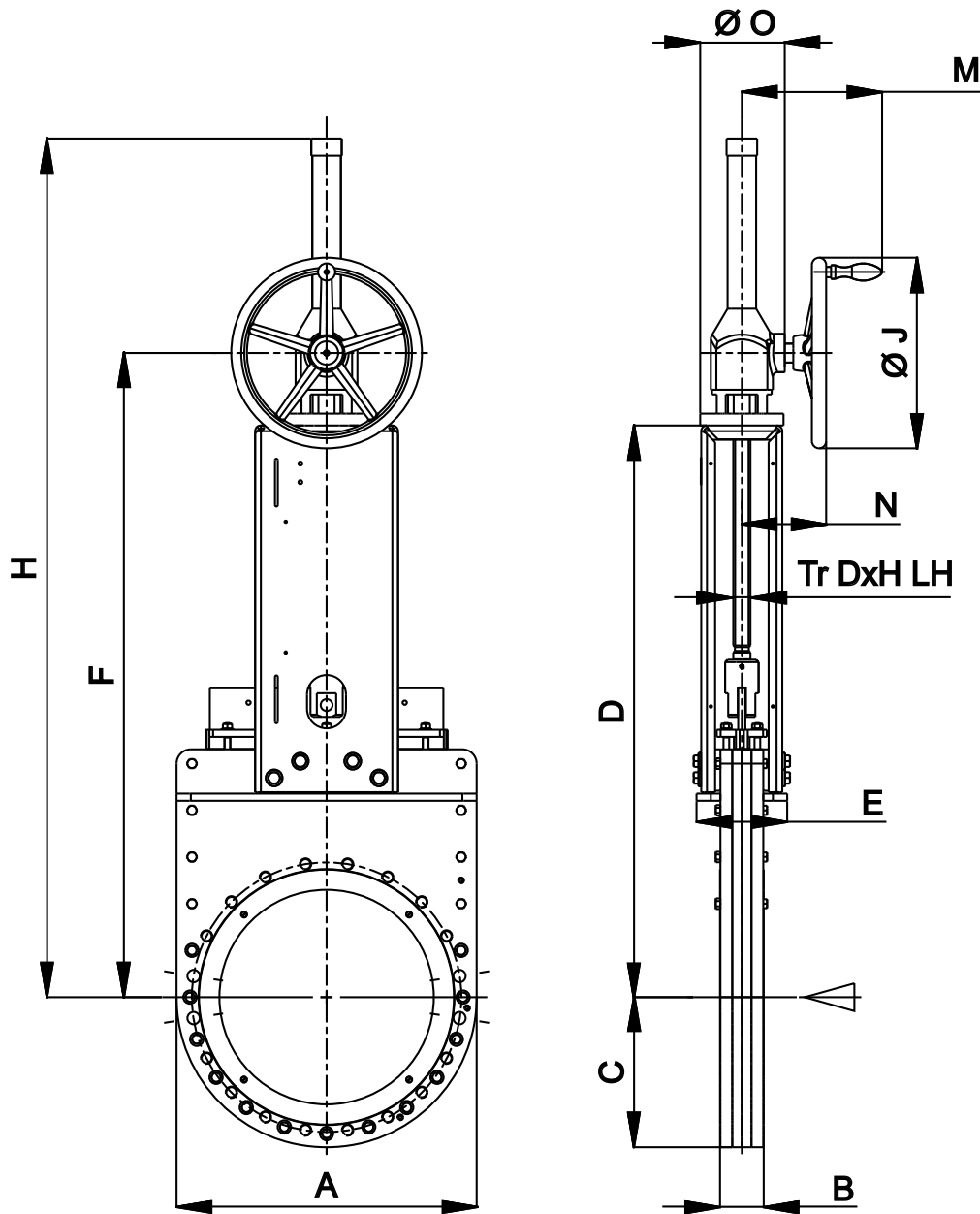
COMPACT-shut-off-valve
electric drive and protection guard



DN	BD [bar]	A	B	C	D	E	F	M	N	P	Q	R	ØS	T	stem Tr DxH	closing time [s]	weight ~[kg]
50	8	185	42	100	313	78	646	333	280	515	349	237	160	112	20 x 4	18	32
65	8	185	42	100	313	78	646	333	280	515	349	237	160	112	20 x 4	23	32
80	8	175	52	125	313	78	646	333	280	515	349	237	160	112	20 x 4	28	32
*)100	8	210	52	135	368	94	701	333	280	515	349	237	160	112	24 x 5	27	37
*)125	8	230	52	145	413	94	746	333	280	515	349	237	160	112	24 x 5	34	38
*)150	8	255	62	160	468	94	801	333	280	515	349	237	160	112	24 x 5	41	42
200	8	328	60	190	557	143	902	345	355	536	373	247	200	126	30 x 6	45	58
250	8	400	68	230	668	166	1013	345	355	536	373	247	200	126	30 x 6	56	84
300	6	450	72	260	764	170	1202	438	355	536	373	247	200	126	30 x 6	67	96
350	6	510	72	290	907	190	1350	443	355	536	389	247	200	142	36 x 6	78	151
400	6	575	90	326	1059	190	1602	543	355	536	393	247	200	146	36 x 6	90	198
450	4	630	92	315	1200	208	1808	608	285	713	436	285	315	151	36 x 6	102	304
500	4	700	92	350	1265	228	1873	608	380	713	436	285	315	151	36 x 6	115	328
600	4	810	112	405	1495	268	2203	708	380	713	446	285	315	161	44 x 7	138	554

*) Opening DN - 3mm, full opening on request.
Dimensions in mm, flange dimensions to DIN EN 1092-1, PN 10.
Further sizes on request.

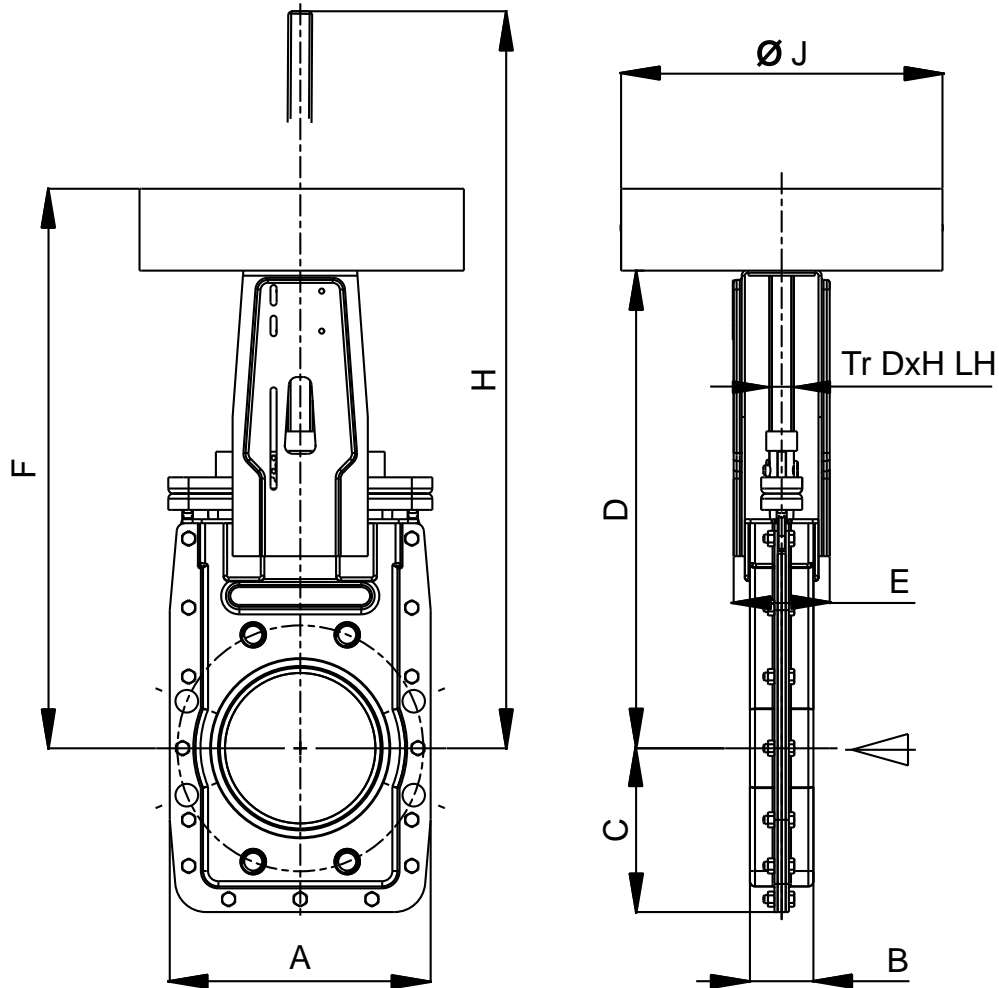
COMPACT-shut-off-valve
bevel gear box handwheel



DN	BD [bar]	A	B	C	D	E	F	H	Ø J	Ø O	M	N	Tr D x H LH	weight ~[kg]
350	6	520	72	290	907	190	1059	1414	400	178	295	117	36 x 6	145
400	6	578	90	326	1059	190	1211	1611	400	178	295	117	36 x 6	195
450	4	630	92	315	1200	208	1352	1802	400	178	295	117	36 x 6	273
500	4	700	92	350	1265	228	1455	1947	400	205	340	222	36 x 6	292
600	4	810	112	405	1495	268	1685	2250	500	205	340	222	44 x 7	493

Dimensions in mm, flange dimensions to DIN EN 1092-1, PN 10.
Further sizes on request.

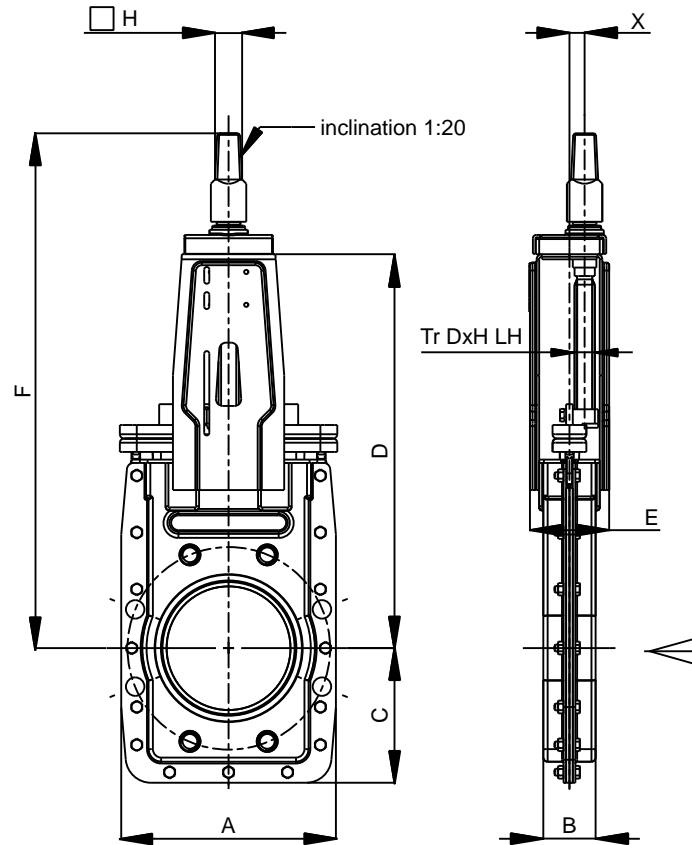
COMPACT-shut-off-valve spocket drive



DN	BD [bar]	A	B	C	D	E	F	H	Ø J	Tr D x H LH	weight ~[kg]
50	8	185	42	100	313	78	394	397	274	20 x 4	14
65	8	185	42	100	313	78	394	412	274	20 x 4	14
80	8	175	52	125	313	78	394	437	274	20 x 4	14
*)100	8	210	52	135	368	94	447	520	314	24 x 5	18
*)125	8	230	52	145	413	94	492	595	314	24 x 5	21
*)150	8	255	62	160	468	94	547	665	314	24 x 5	25
200	8	328	60	190	557	143	636	821	394	30 x 6	50
250	8	400	68	230	668	166	747	981	394	30 x 6	66
300	6	450	72	260	764	170	843	1131	394	30 x 6	87
350	6	510	72	290	907	190	1000	1350	516	36 x 6	133
400	6	575	90	326	1059	190	1152	1550	516	36 x 6	202

*) Opening DN - 3mm, full opening on request.
Dimensions in mm, flange dimensions to DIN EN 1092-1, PN 10.
Further sizes on request.

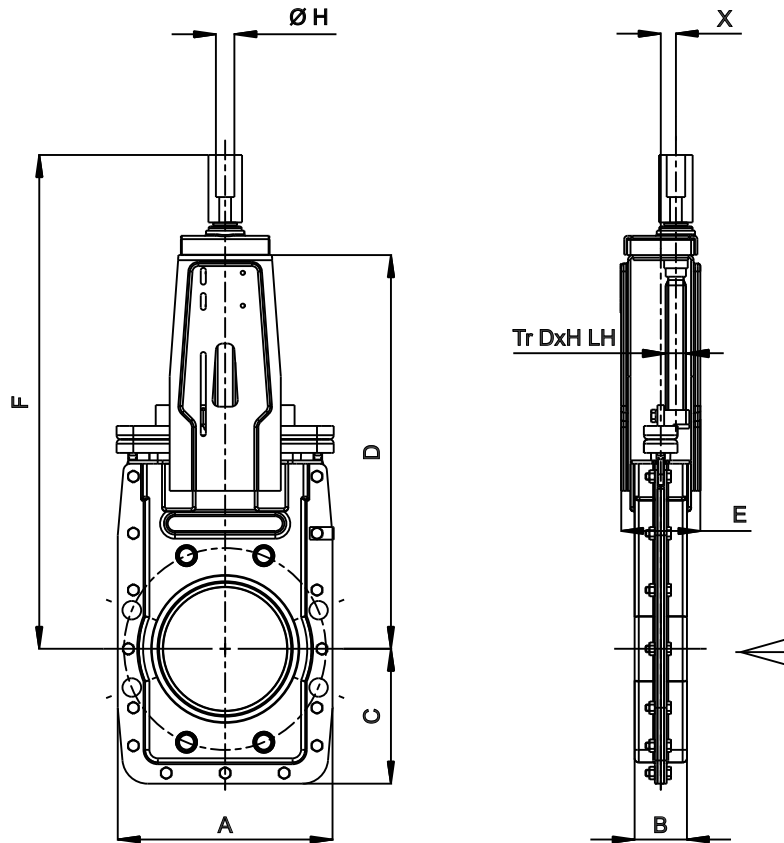
COMPACT-shut-off-valve
square head



DN	BD [bar]	A	B	C	D	E	F	H	X	Tr D x H LH	weight ~[kg]
50	8	185	42	100	313	78	455	32	15	20 x 4	9
65	8	185	42	100	313	78	455	32	15	20 x 4	10
80	8	175	52	125	313	78	456	32	15	20 x 4	10
*)100	8	210	52	135	368	94	512	32	18	24 x 5	13
*)125	8	230	52	145	413	94	557	32	18	24 x 5	15
*)150	8	255	62	160	468	94	612	32	18	24 x 5	18
200	8	328	60	190	557	143	707	32	22	30 x 6	38
250	8	400	68	230	668	166	818	32	22	30 x 6	51
300	6	450	72	260	764	170	914	32	22	30 x 6	67
350	6	510	72	290	907	190	1043	32	26	36 x 6	96
400	6	575	90	326	1059	190	1195	32	26	36 x 6	136
450	4	630	92	315	1200	208	1336	32	28,5	36 x 6	261
500	4	700	92	350	1265	228	1416	32	35	36 x 6	311
600	4	810	112	405	1495	268	1646	32	35	44 x 7	468

*) Opening DN - 3mm, full opening on request.
Dimensions in mm, flange dimensions to DIN EN 1092-1, PN 10.
Further sizes on request.

COMPACT-shut-off-valve round sleeve



DN	BD [bar]	A	B	C	D	E	F	H	X	Tr D x H LH	weight ~[kg]
50	8	185	42	100	313	78	430	20	15	20 x 4	9
65	8	185	42	100	313	78	430	20	15	20 x 4	10
80	8	175	52	125	313	78	431	20	15	20 x 4	10
*)100	6	210	52	135	368	94	487	22	18	24 x 5	13
*)125	6	230	52	145	413	94	531	22	18	24 x 5	15
*)150	6	255	62	160	468	94	587	22	18	24 x 5	18
200	6	328	60	190	557	143	692	25	22	30 x 6	38
250	4	400	68	230	668	166	803	25	22	30 x 6	51
300	4	450	72	260	764	170	899	30	22	30 x 6	67
350	2,5	510	72	290	907	193	1048	30	26	30 x 6	96
400	2,5	575	90	326	1059	190	1200	30	26	30 x 6	136
450	2,5	630	92	315	1200	208	1341	30	28,5	30 x 6	231
500	2,5	700	92	350	1265	228	1421	35	35	36 x 6	311
600	2,5	810	112	405	1495	268	1651	35	35	36 x 6	468

*) Opening DN - 3mm, full opening on request.
Dimensions in mm, flange dimensions to DIN EN 1092-1, PN 10.
Further sizes on request.

Germany + Switzerland

MARTIN LOHSE GmbH
Postfach 1565
89505 Heidenheim
Phone: +49 (0) 73 21 / 7 55-0
Fax: +49 (0) 73 21 / 7 55-99
server.ab@lohse-gmbh.de
www.lohse-gmbh.de

Australia + New Zealand

Voith Paper
Australia & New Zealand Pty Ltd
Suite 10/33 Waterloo Road
North Ryde, NSW 2113
Phone: +61 (02) 9888 9399
Fax: +61 (02) 9888 9899
vfaz@voith.com

Austria + CZ, SK, SLO, HR, H

Peter Reiter
Handel Mazzetti-Str. 85
3100 St. Pölten
Phone: +43 (0) 27 42 / 7 73 66
Fax: +43 (0) 27 42 / 7 73 66
fa.reiter@aon.at

Belgium

Hanwel Belgium S.A.
Winninglaan 15
9140 Temse
Phone: +32 (0) 3 / 7 11 03 53
Fax: +32 (0) 3 / 7 11 05 79
info@hanwel.be
www.hanwel.be

People's Rep. Of China

Shanghai Fier Mechanical Co. LTD
Room B4, 15/F HuaFu Bldg.
No. 585 LongHua xi Rd.
ShangHai, China 200232
Phone: +86-21-54591038
Fax: +86-21-54240616
MP: 13611665381
shfier@163.com
www.fier.com.cn

Denmark

Uni-Valve A/S
Sydvestvej 138 – 140
2600 Glostrup
Phone: +45 (0) 43 43 82 00
Fax: +45 (0) 43 43 74 75
mail@uni-valve.com
www.uni-valve.com

Finland

Aseko Oy
Tinankuja 3
02430 Masala
Phone: +358 (10) 400 10 12
Fax: +358 (10) 400 12 00
markkinointi@aseko.fi
www.aseko.fi

France, MA, TN, DZ

T.N.P.
4, Le Parvis
94100 Saint-Maur
Phone: +33 (0) 1 / 55 97 11-11
Fax: +33 (0) 1 / 48 83 52 07
info@tnp.fr
www.tnp.fr

Great Britain

Voith Turbo Ltd.
6 Beddington Farm Road
Croydon, Surrey CRO, 4XB
Phone: +44 (0) 2 08 / 6 67 03 33
Fax: +44 (0) 2 08 / 6 67 04 03
kevin.bracken@voith.com

Greece

Dimitrios Mikopoulos
P.O. Box 77128
17501 Athens-Pal. Faliro
Phone: +30 210 / 9 88 44 03
Fax: +30 210 / 9 88 21 76
mikoath@otenet.gr

India

Antrieb Technik Private Limited
59 (old 359) Sidco Industrial Estate
Ambattur
Chennai-600 098
Tamilnadu / INDIA
Phone: +91 (44) 262 – 58303
Fax: +91 (44) 2819 – 3718
antrieb.technik@gmail.com

Indonesia, Singapore, Malaysia

P.T. VOITH PAPER
Perkantoran Hijau Arkadia
Menara B, 15th floor
Jl. Letjen. TB. Simatupang kav. 88
Jakarta 12520, INDONESIA
Phone : +62 (21) 7884 5922
Fax : +62 (21) 7884 5925
bertinus.tirtadihardja@voith.com

Israel

P. B. A. Wiesner Ltd.
P. O. Box 4622
Petach-Tikva 49277
Phone: +972 (0) 3 / 9 05 21 11
Fax: +972 (0) 3 / 9 05 21 10
mailnet@pba.co.il

Italy

Techno Paper S.R.L.
Viale Colleoni, 25
20041 Agrate Brianza
Phone: +39 039 / 6 05 68 86
Fax: +39 039 / 6 05 67 75
info@techno-paper.com
www.techno-paper.com

Japan

Voith IHI Paper Technology Co.Ltd.
Kyobashi Bldg. 3F
2-9-14 Yaesu
Chuo-ku
104-0028 Tokyo
Phone: +81 (0) 3 3277 / 4102
Fax: +81 (0) 3 3277 / 4130
info@voith.ihi.co.jp

Korea

C.S-Automation Co., Ltd. (Customer Satisfaction Automation)
#804 Sejung Technovalley
279-5 Songjeong-Dong
Heungdeok-Gu
Cheongju-Si
South Korea. 361-290
Phone: +82 43 276 1332
Fax: +82 43 278 1332
changseol@korea.com

Netherlands

Hanwel B. V.
Jan Tinbergenstraat 209
7559 SP Hengelo
The Netherlands
Phone: +31 74-2650000
Fax: +31 74-2650001
verkoop@hanwel.com
www.hanwel.com

Norway

KSB Lindflaten AS
Vollsveien 9
1366 Lysaker
Phone: +47 67 12 99 00
Fax: +49 67 12 99 01
firmapost@lindflaten.no
www.ksblindflaten.no

Philippines

R. Dan and Co., Inc.
20 Alfonso St.
Rosario
Pasig City 1609
Phone: +632 – 6558796
Fax: +632 – 6562089
ester.poe@robertdan.com.ph
www.robertdan.com.ph

Poland

Waldemar Kulicki
ul. Heweliusza 37/4
87-148 Papowo Toruńskie
Phone: +48 (0) 56 / 6783399
Fax: +48 (0) 56 / 6783880
waldemar-kulicki@wp.pl
www.wkulicki.eu

Portugal

Celpapel, Lda.
Rua Armando Cortez, 1 – 1º D
2770-233 Paço de Arcos
Phone: +351 (0) 21 / 313 8340
Fax: +351 (0) 21 / 356 1335
office@celpapel.com

Rep. of South Africa

Voith Turbo (Pty) Ltd
P.O. Box 13171
Witfield, 1467
Gauteng, SOUTH AFRICA
Phone: +27 11 418 4000
Fax: +27 11 418 4080
info.vtza@voith.com
www.rsa.voithturbo.com

Spain

CELPAP EQUIPOS, S.L.
C/Amposta, 14-18
08174 Sant Cugat del Vallés
(Barcelona)
Tel. +34 93 415 18 75
Fax. +34 93 237 03 81
celpap@celpap.com
www.celpap.com

Sweden

PA-Ventiler AB
Sagbäcksvägen 38
43736 Lindome
Phone: +46 (0) 31 / 99 25 00
Fax: +46 (0) 31 / 99 25 03
info@paventiler.se
www.paventiler.se

Taiwan

E-Chen Engineering Co., Ltd.
3F-3, No. 151, Sec. 4,
Hsin-Yi Road,
Taipei, Taiwan, R.O.C.
Phone: +886 (0) 22 / 7056185
Fax: +886 (0) 22 / 7 04 59 67
echen123@ms15.hinet.net

Thailand

Weston Myer Ltd.
8 Soi Seri-Thai 58
Seri-Thai Road
10510 Minburi Bangkok
Phone: +66 (0) 2 / 3 74 58 69
Fax: +66 (0) 2 / 3 75 – 11 79
comm1@westonmyer.com

Turkey

Sanrep Kağıt San. ve Tic. Ltd. Şti.
Altıyol, Kuşdili Caddesi No:19/7
H.Fazlıoğlu İş Merkezi
34714 Kadıköy – İSTANBUL
Phone: +90 216 345 40 48
Fax: +90 216 330 73 12
sanrep@sanrep.com
www.sanrep.com

USA, Canada, Mexico

Voith Paper Inc.
2200 N. Roemer Rd.
Appleton, WI 54912-2237
Phone: +1 (0) 920 – 731 – 0769
Fax: +1 (0) 920 – 731- 0240
troy.vanasten@voith.com